

Catalog of technical solutions

Arrangement of connections of window and door constructions with thermal insulation profiles **VS**Thermo



Contents

Thermal insulation profiles VSThermo:

1. Cuts	3
2. Combination with PVC systems:	
- Aluplast Ideal 4000	4
- Aluplast Ideal 7000	5
- DECCO 71	6
- DECCO 83	7
- Epsilon 70	8
- Framex 71	9
- Gealan S 8000	10
- Gealan S 9000	11
- KBE 70	12
- Kömmerling 70	13
- Kömmerling 76MD	14
- Kömmerling 88MD	15
- Kömmerling Unity	16
- Profine 70 FT	17
- Rehau ED 70	18
- Rehau SYNEGO	19
- Rehau GENE0	20
- Salamander bluEvolution 73	21
- Salamander bluEvolution 82	22
- VEKA Softline 70	23
- VEKA Softline 82	24
- VIKNALAND B70 / GLASSO 7S	25
- VIKNALAND 85Pro / GLASSO 85Pro	26
- WDS 6S	27
- WDS 7S	28
- WDS 76MD	29
- WDS SL76	30
- WDS 8S	31
- WHS 72	32
3. Combination with door sills:	
- Eifel TB75	33
- WDS D000114	34
4. Combination with aluminum systems :	
- Alumil M11500	35
- Aluprof MB-86	36
- Aluprof MB-104	37
- Aluprof sills	38
- Framex Ft72	39
- KMD 70	40
- PONZIO PE78N	41
- REYNAERS MasterLine 8	42
- REYNAERS MasterLine 10	43
- Schuco AWS90	44
5. Connection nodes (schemes)	
- Lower connection node of window constructions	45
- Lower connection node of window constructions to the ground	46
- Creation of thermal breaks under the thresholds of door constructions	47
- Design of thermal break under the thresholds of sliding systems	48

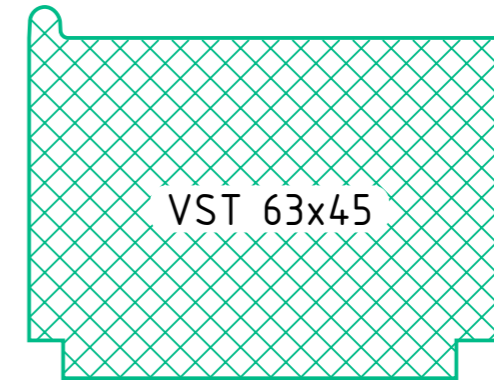
Thermal insulation profile VSThermo



U=0,8 W/Km²



U=0,71 W/Km²



U=0,63 W/Km²



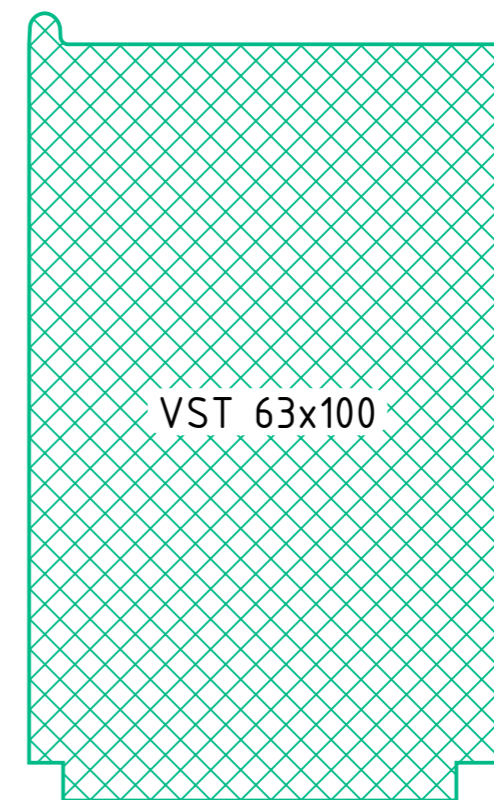
VST 80x90



U=0,63 W/Km²

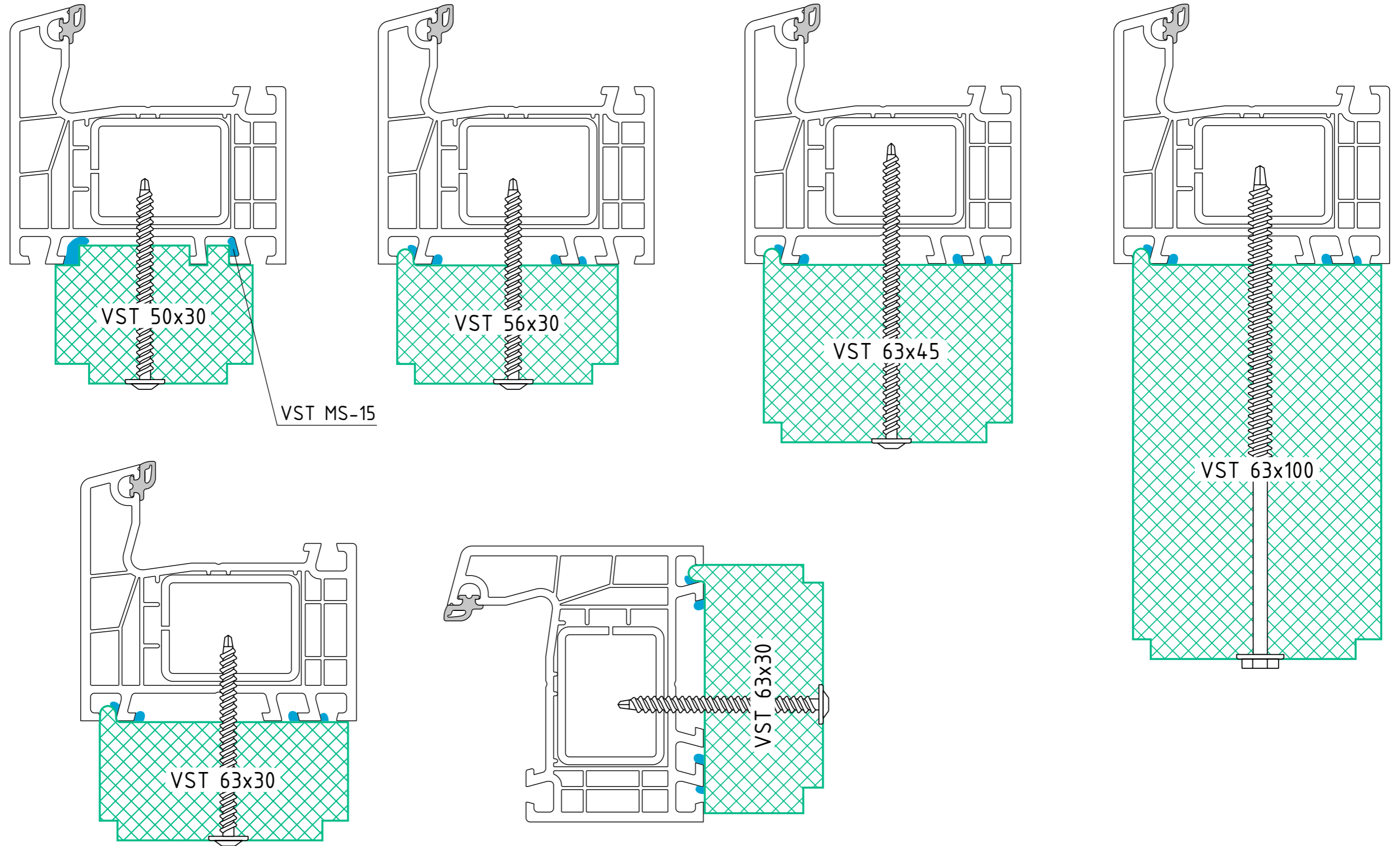


U=0,58 W/Km²

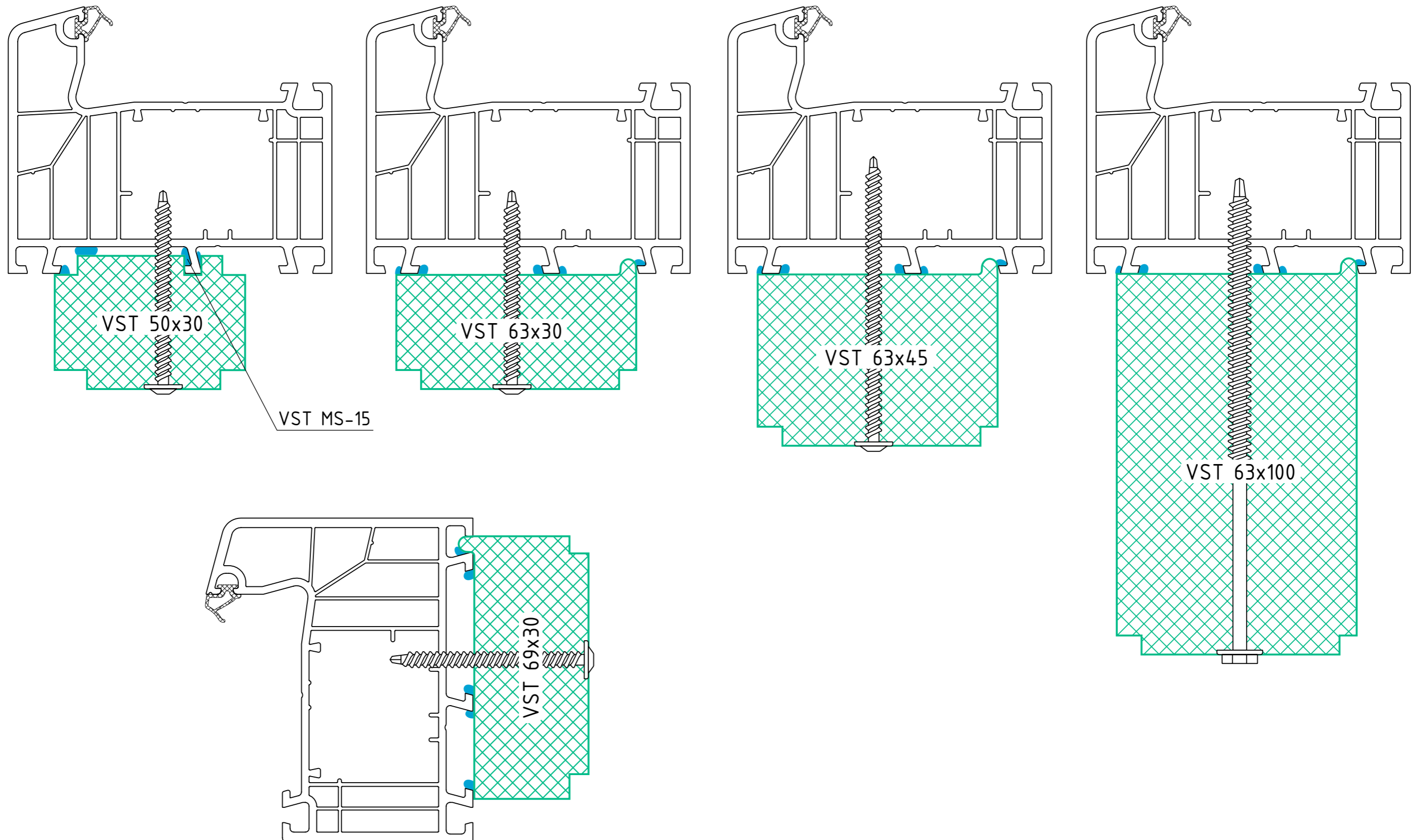


U=0,63 W/Km²

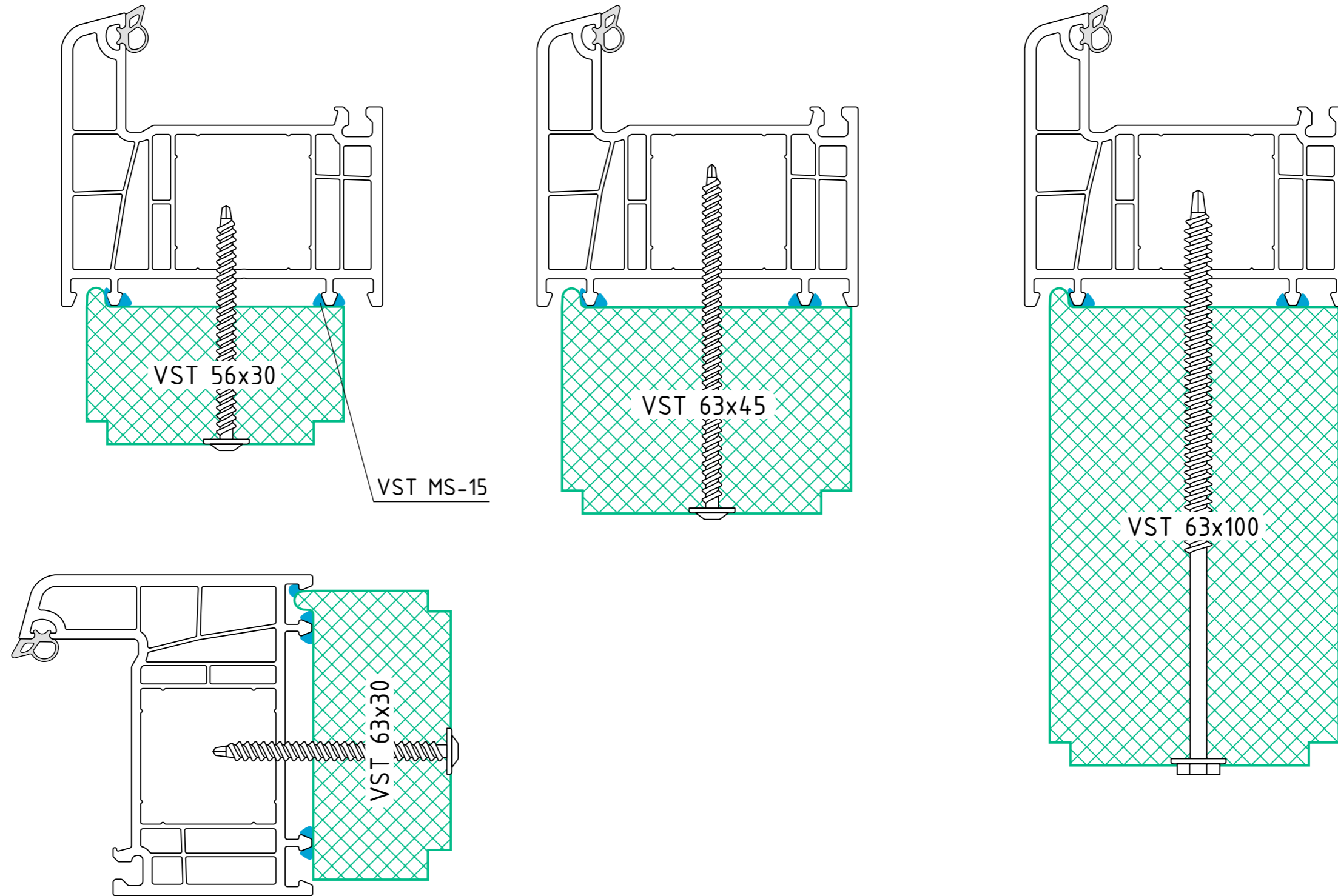
Thermal insulation profile VSThermo in combination with a window system Aluplast Ideal 4000



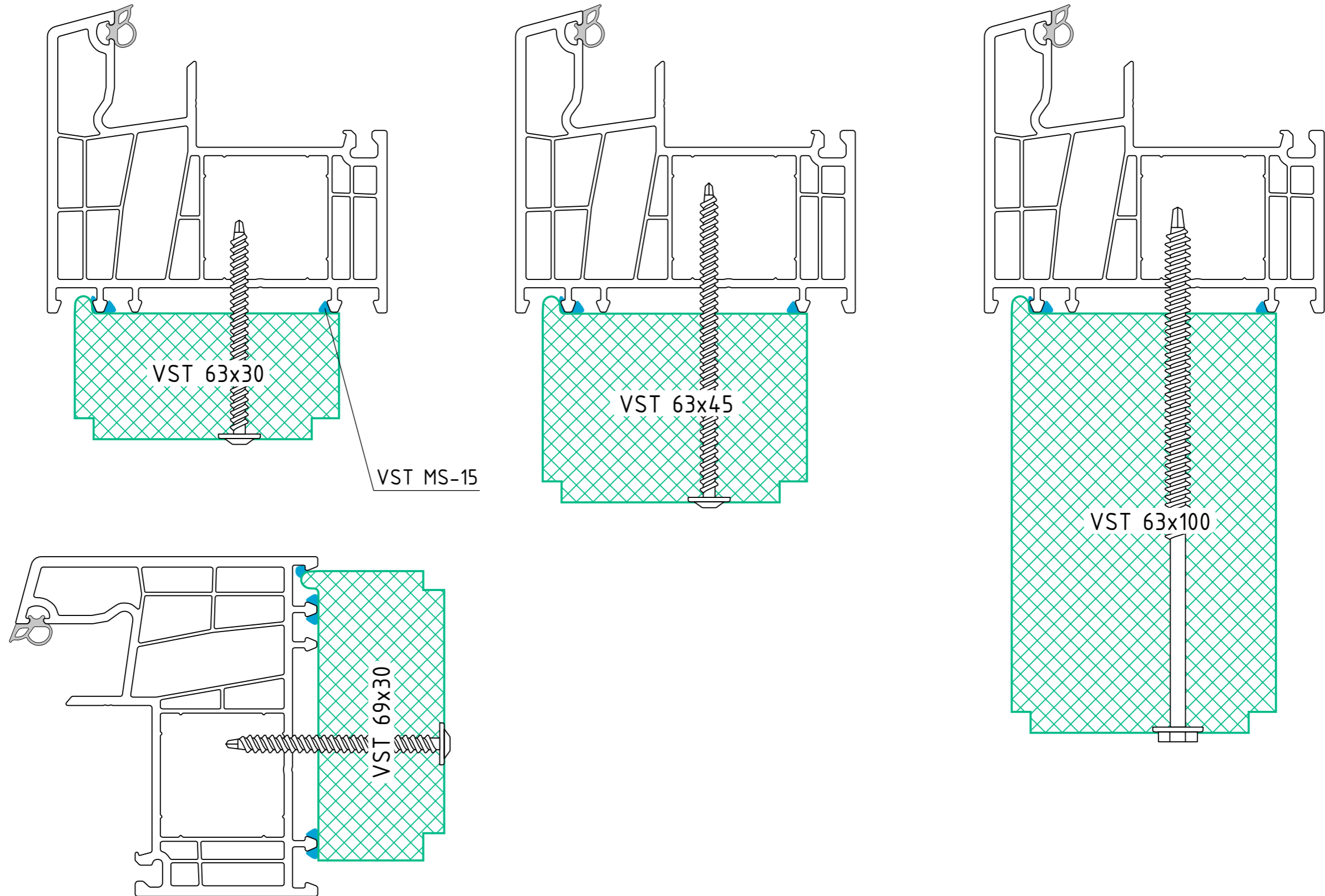
Thermal insulation profile VSThermo in combination with a window system Aluplast Ideal 7000



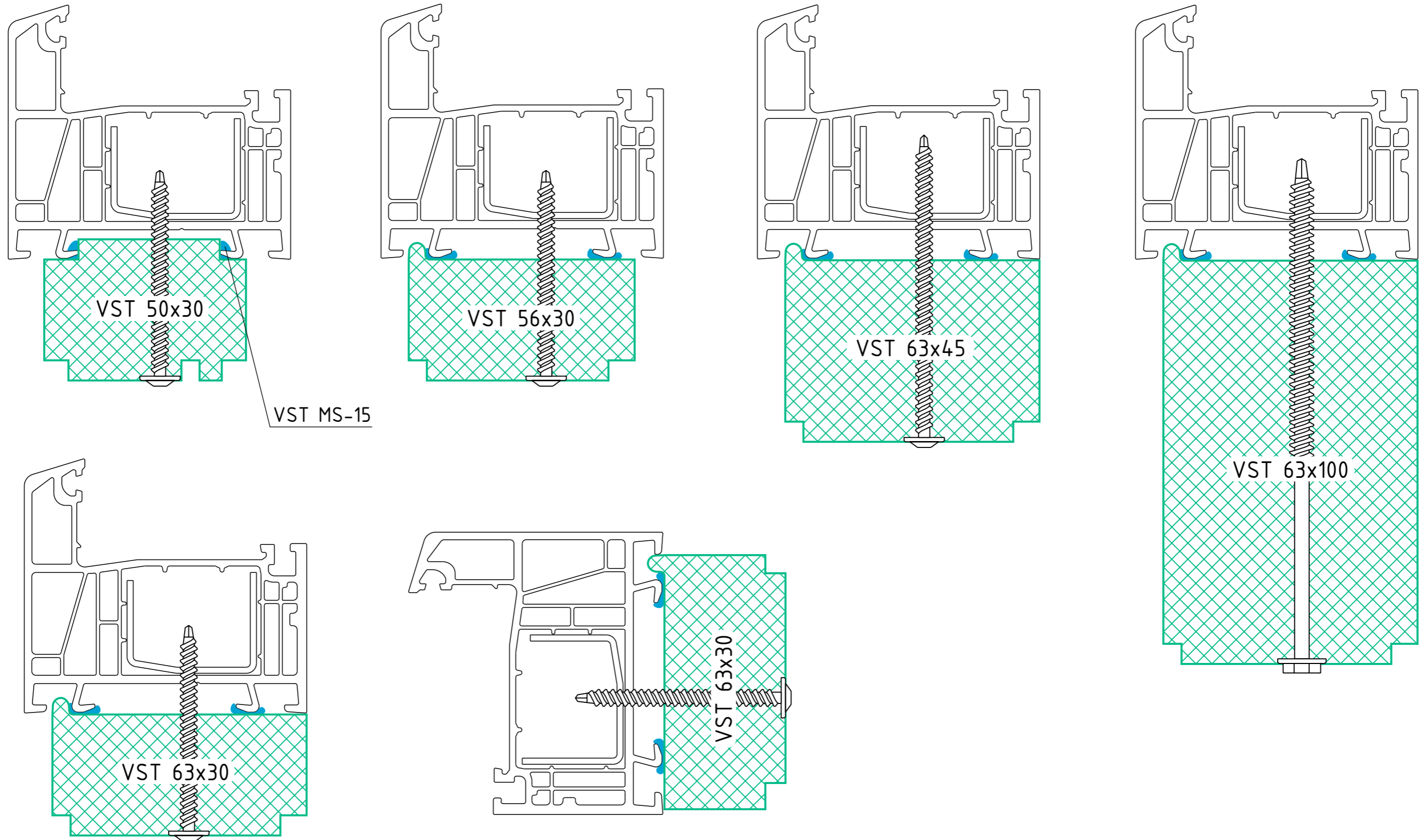
Thermal insulation profile VSThermo in combination with a window system DECCO 71



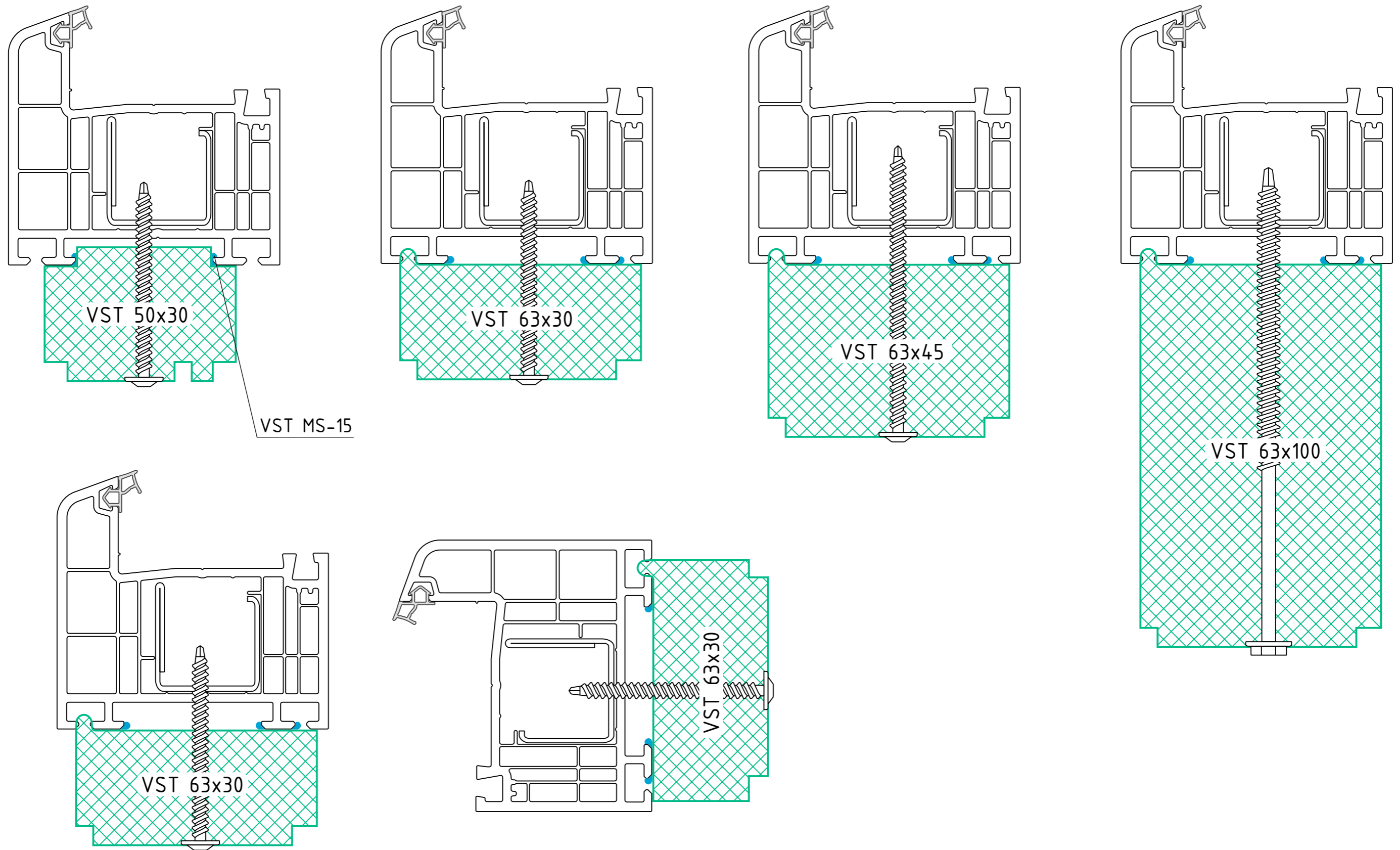
Thermal insulation profile VSThermo in combination with a window system DECCO 83



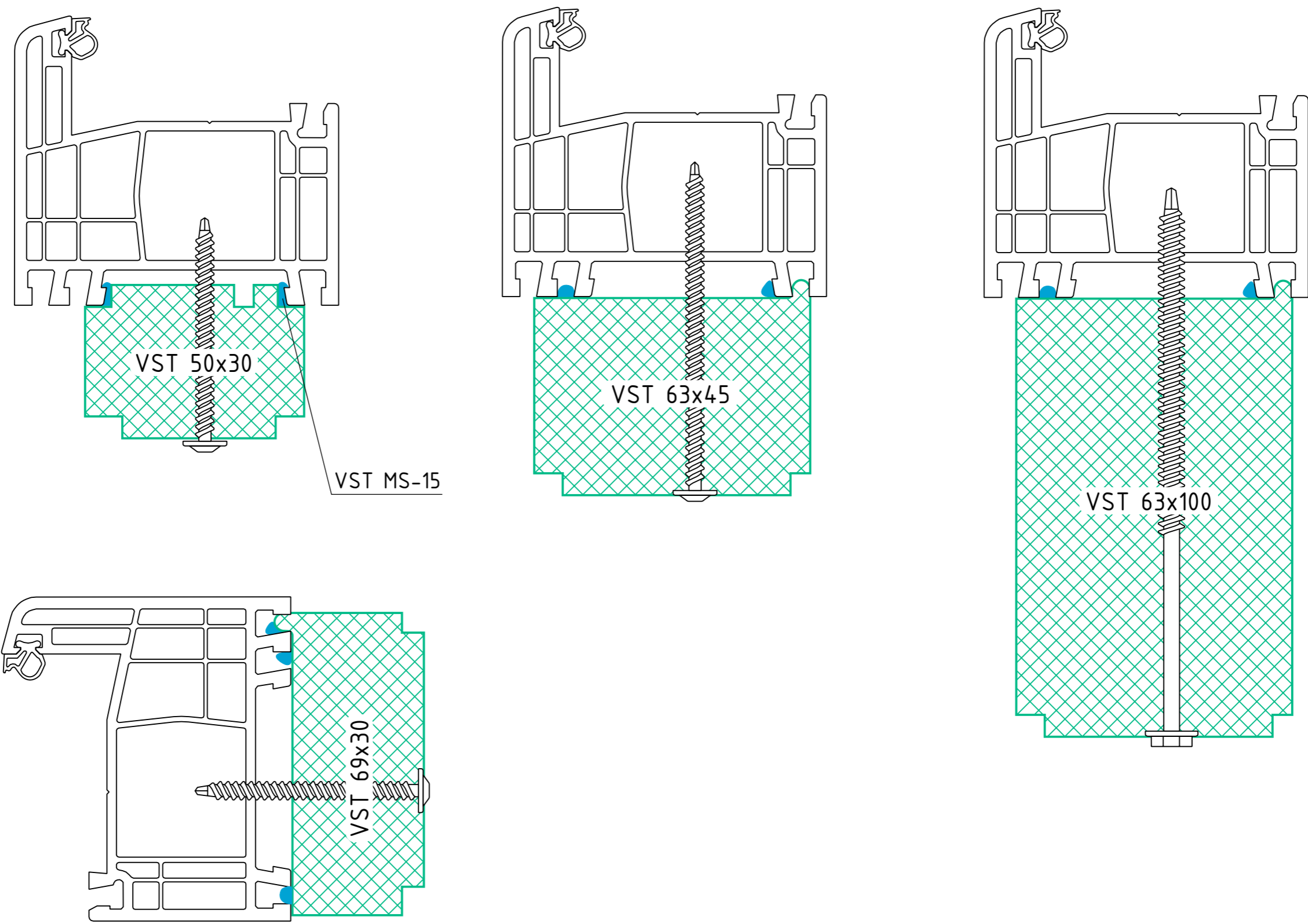
Thermal insulation profile VSThermo in combination with a window system Epsilon 70



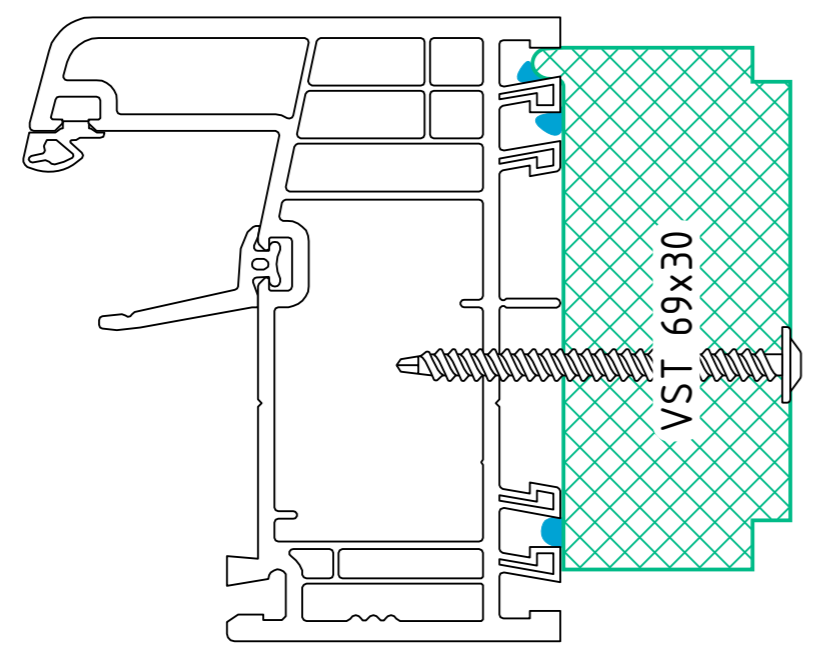
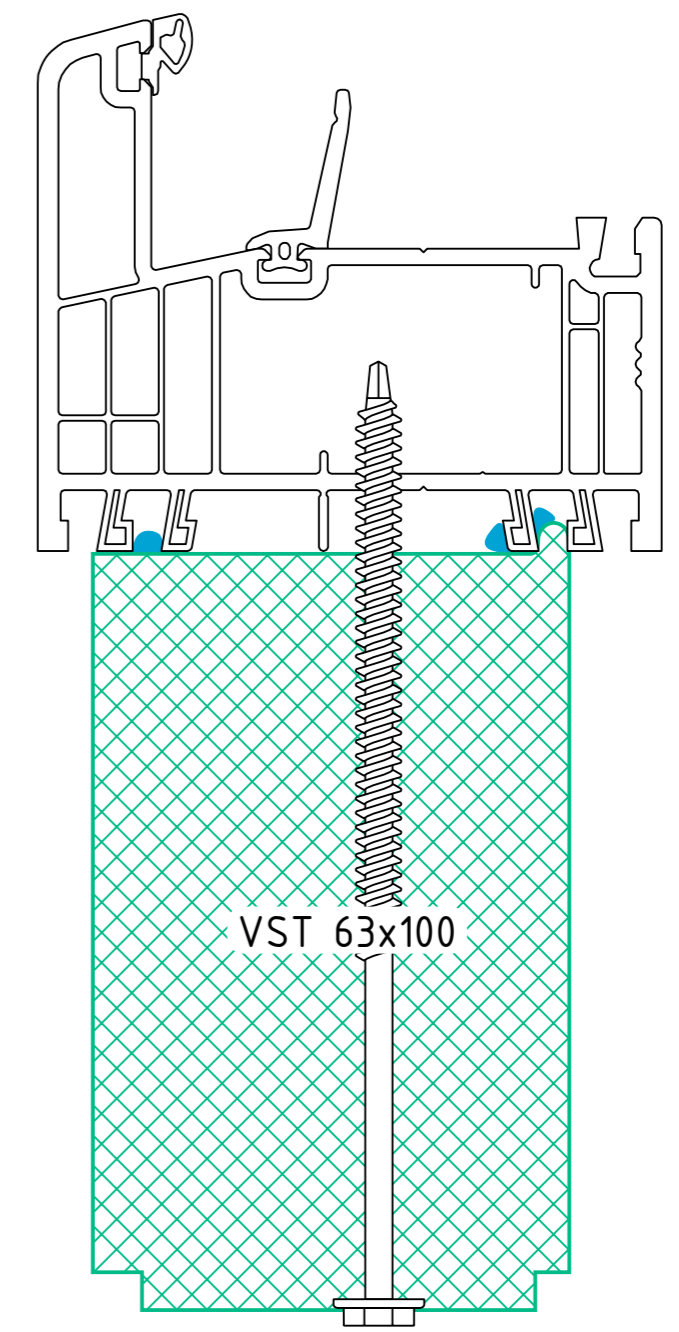
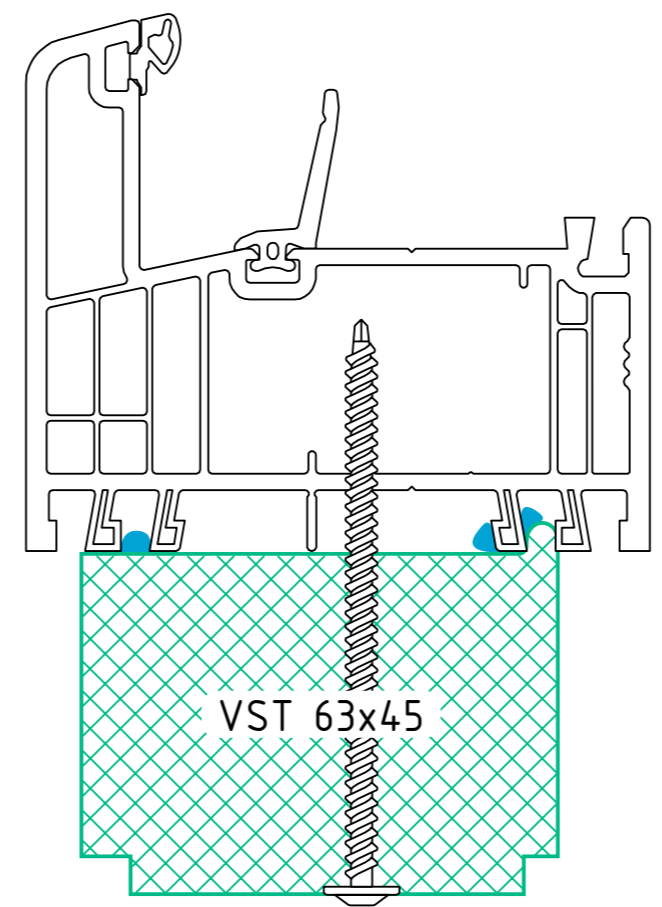
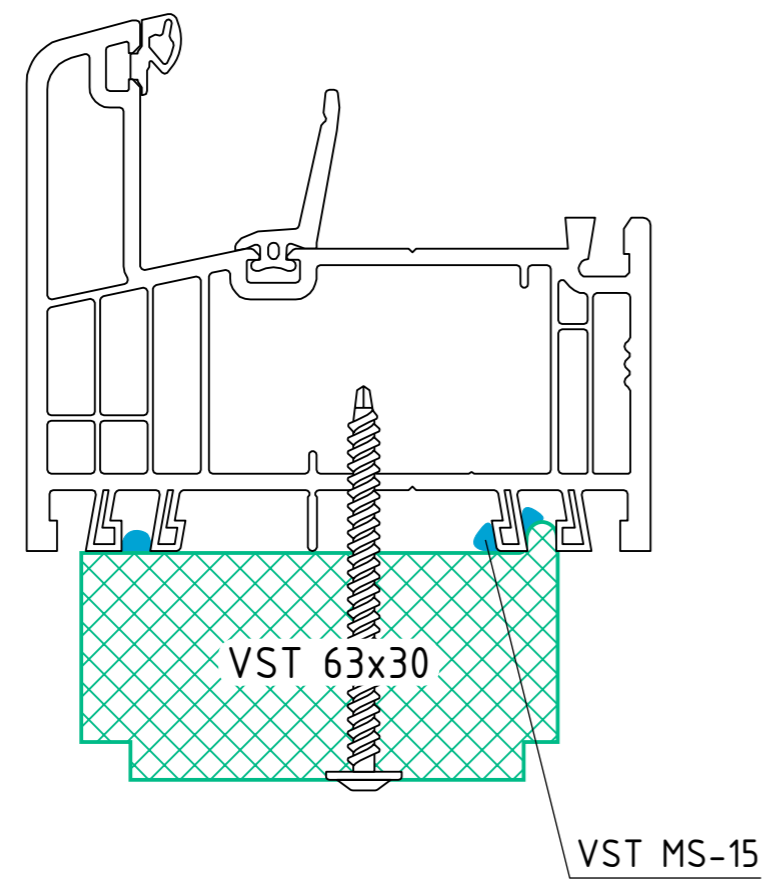
Thermal insulation profile VSThermo in combination with a window system Framex 71



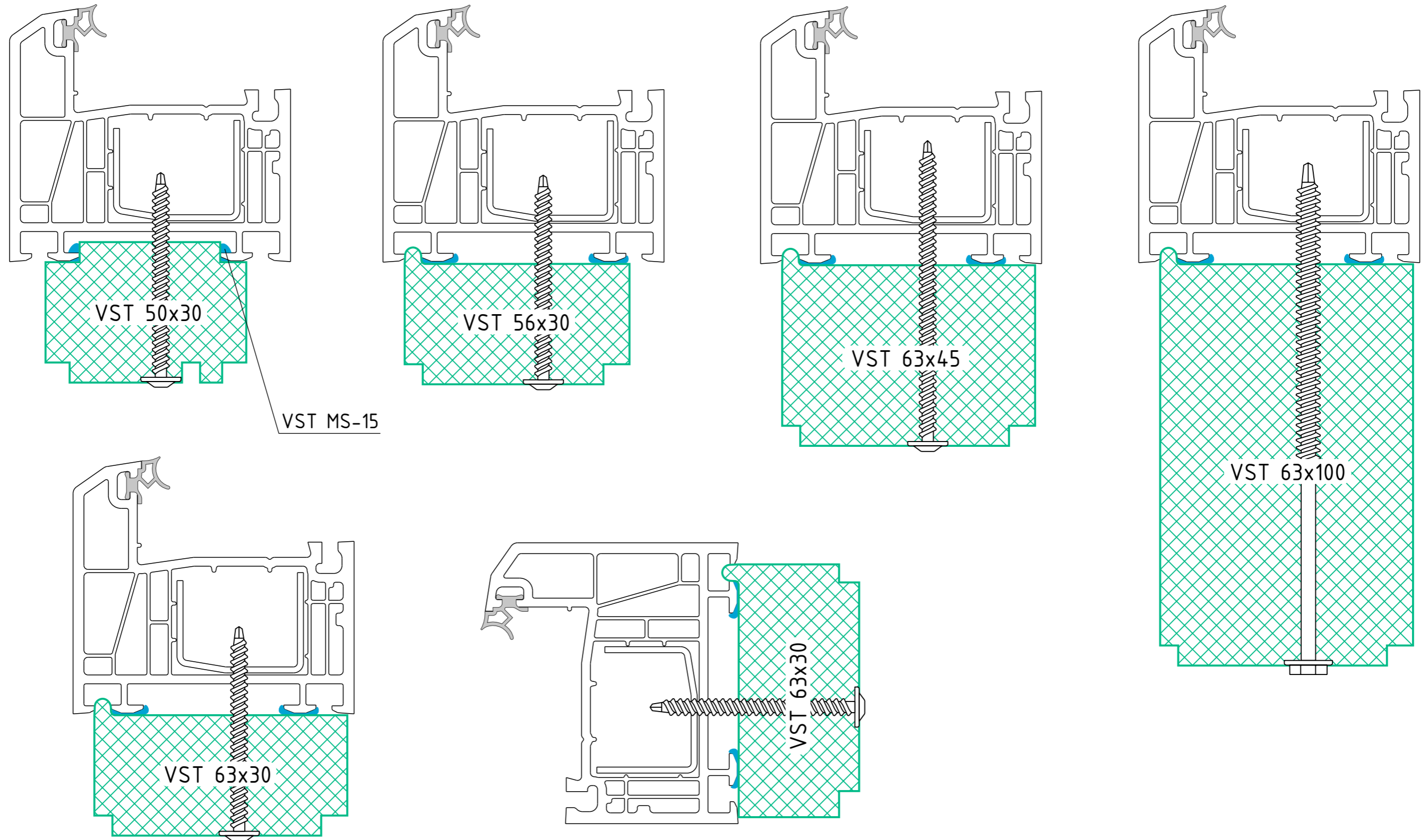
Thermal insulation profile VSThermo in combination with a window system Gealan S 8000



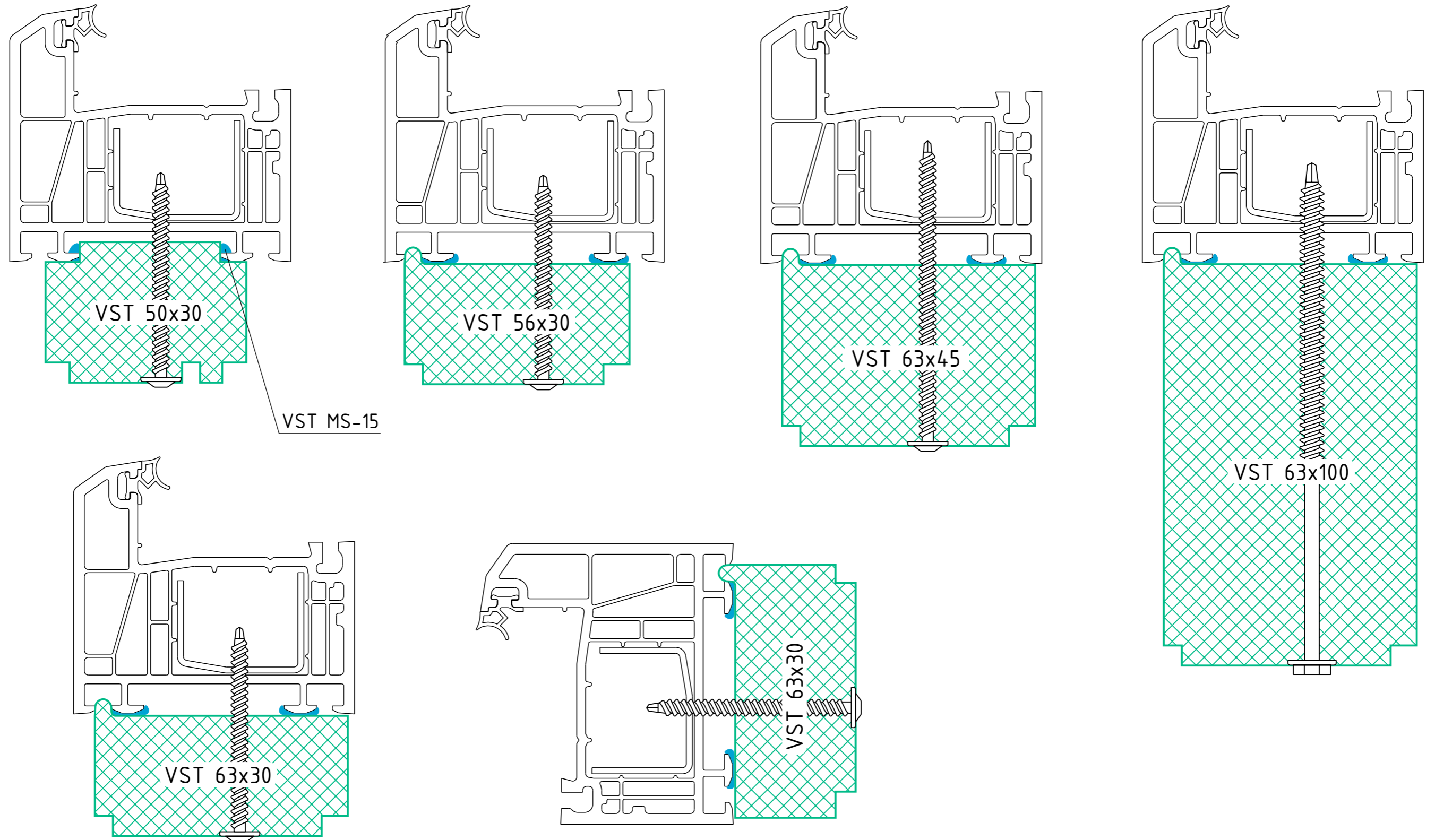
Thermal insulation profile VSThermo in combination with a window system Gealan S 9000



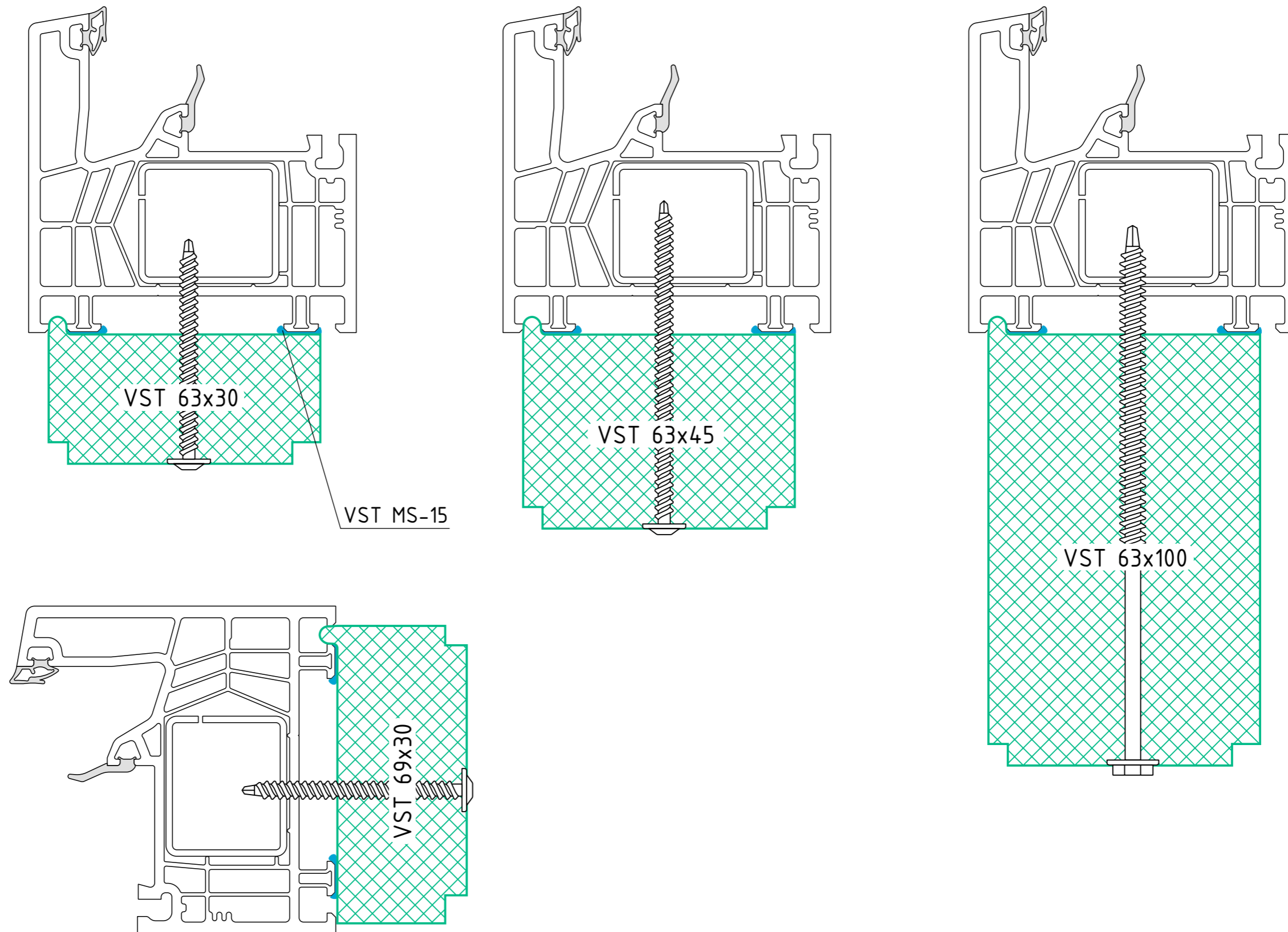
Thermal insulation profile VSThermo in combination with a window system KBE 70



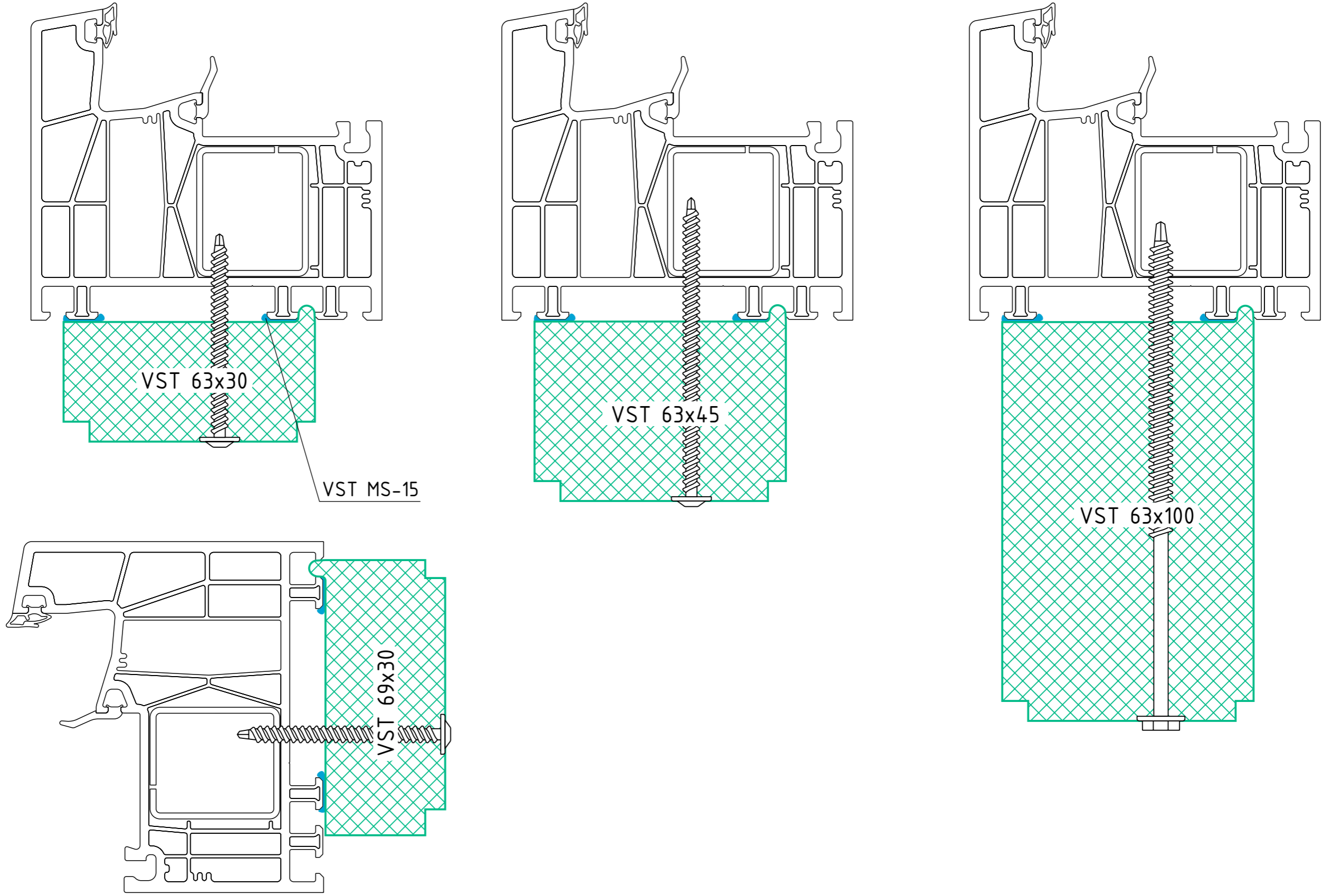
Thermal insulation profile VSThermo in combination with a window system Kömmerling 70



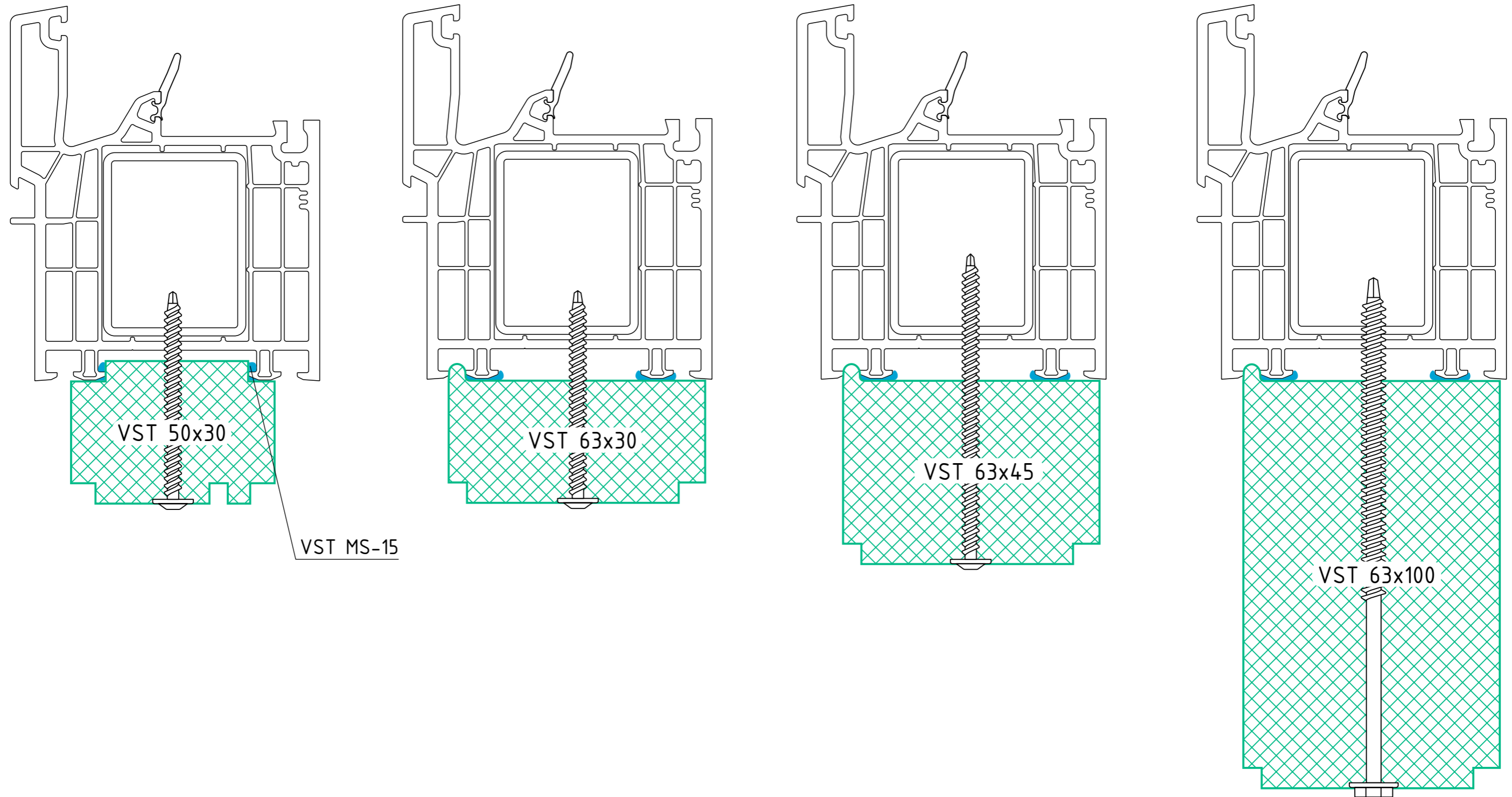
Thermal insulation profile VSThermo in combination with a window system Kömmerling 76MD



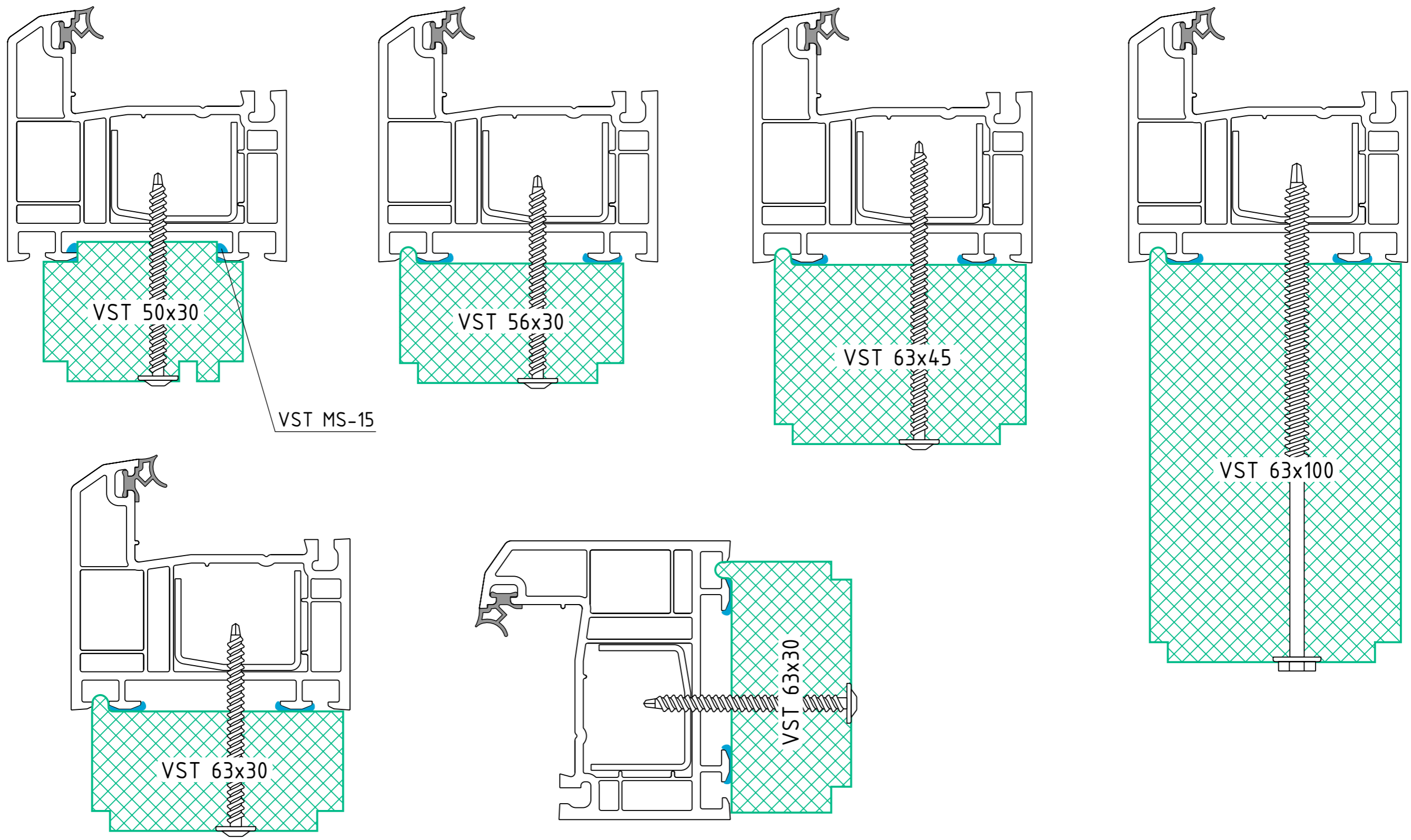
Thermal insulation profile VSThermo in combination with a window system Kömmerling 88MD



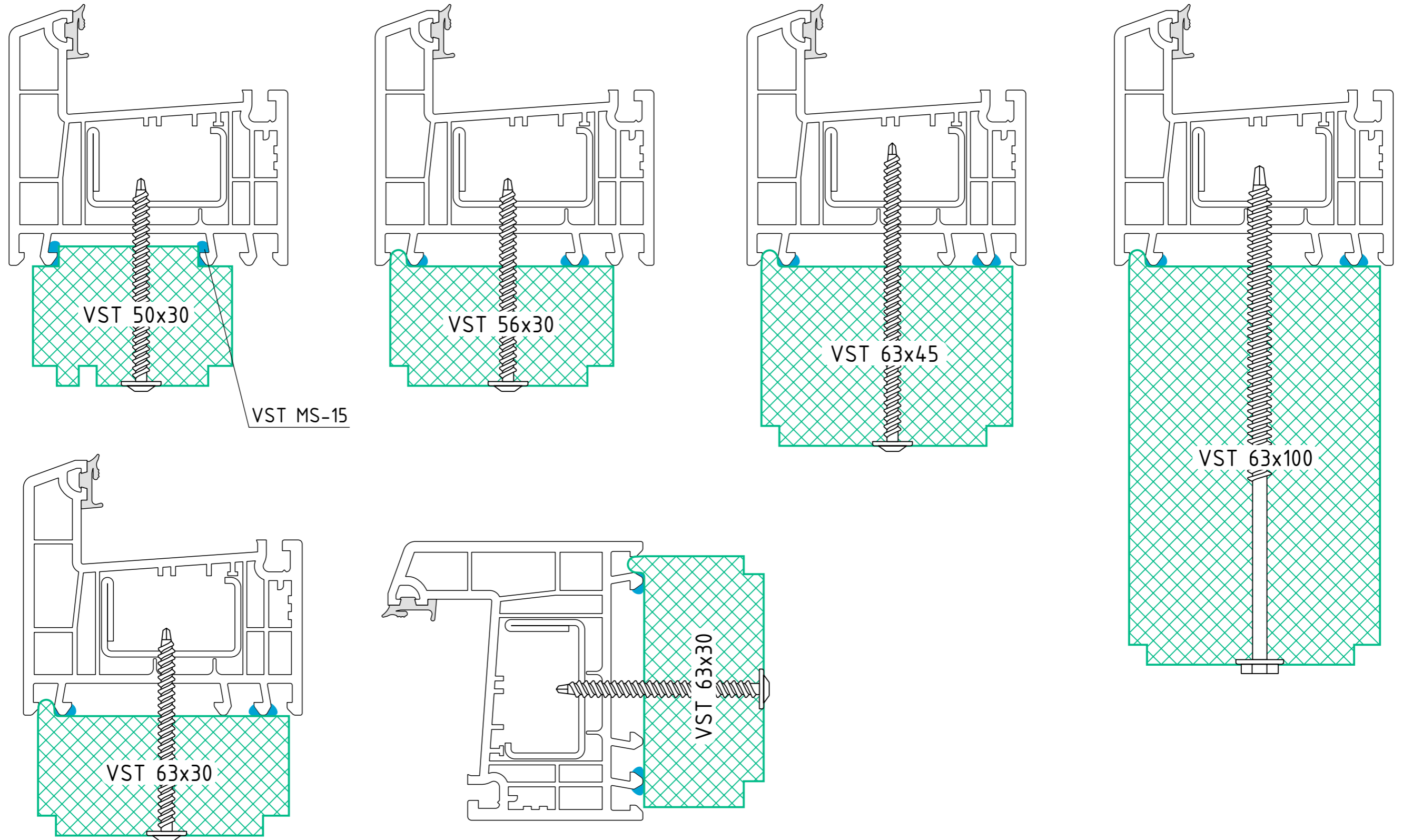
Thermal insulation profile VSThermo in combination with a window system KÖmmerling Unity



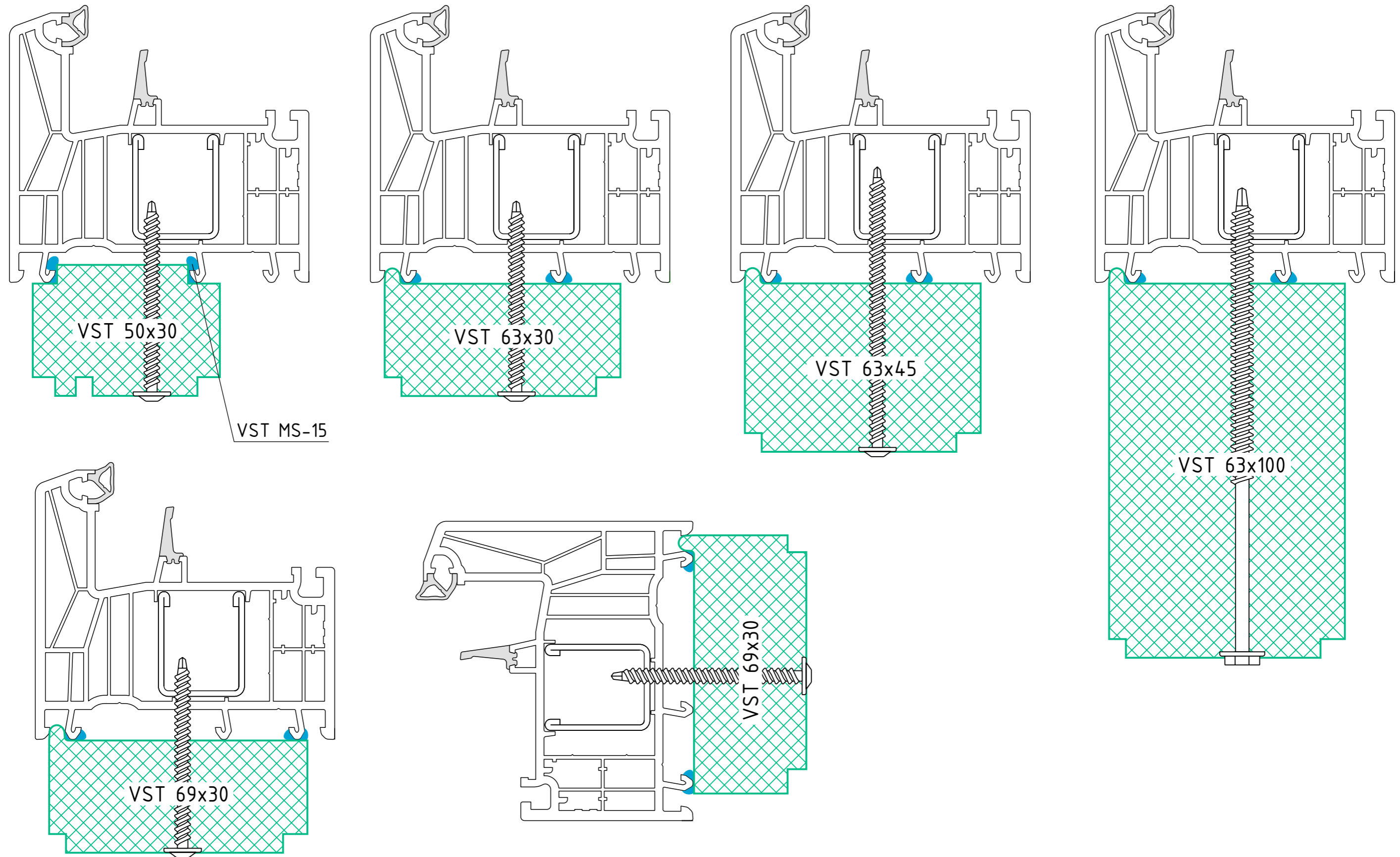
Thermal insulation profile VSThermo in combination with a window system Profine 70 FT



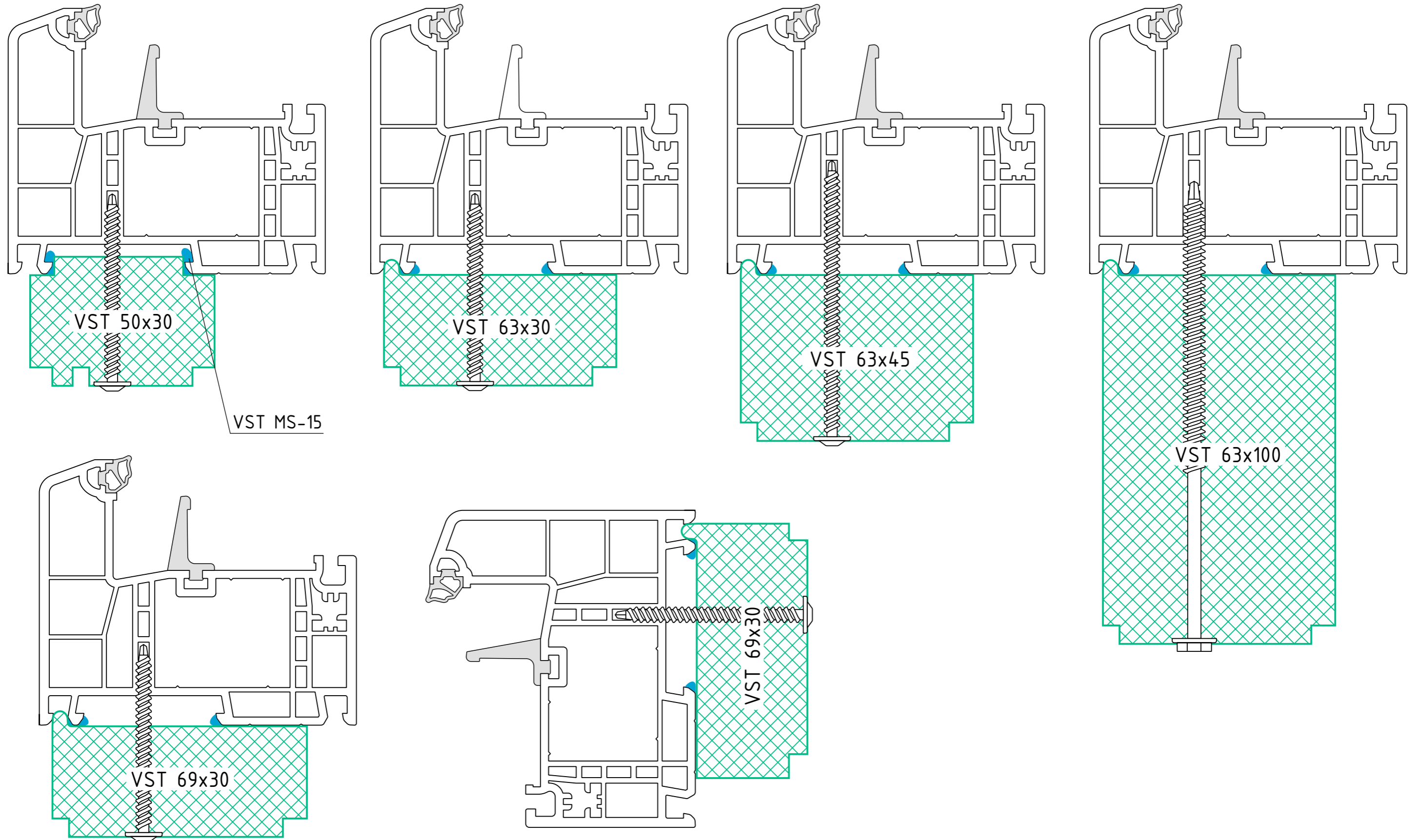
Thermal insulation profile VSThermo in combination with a window system Rehau ED-70



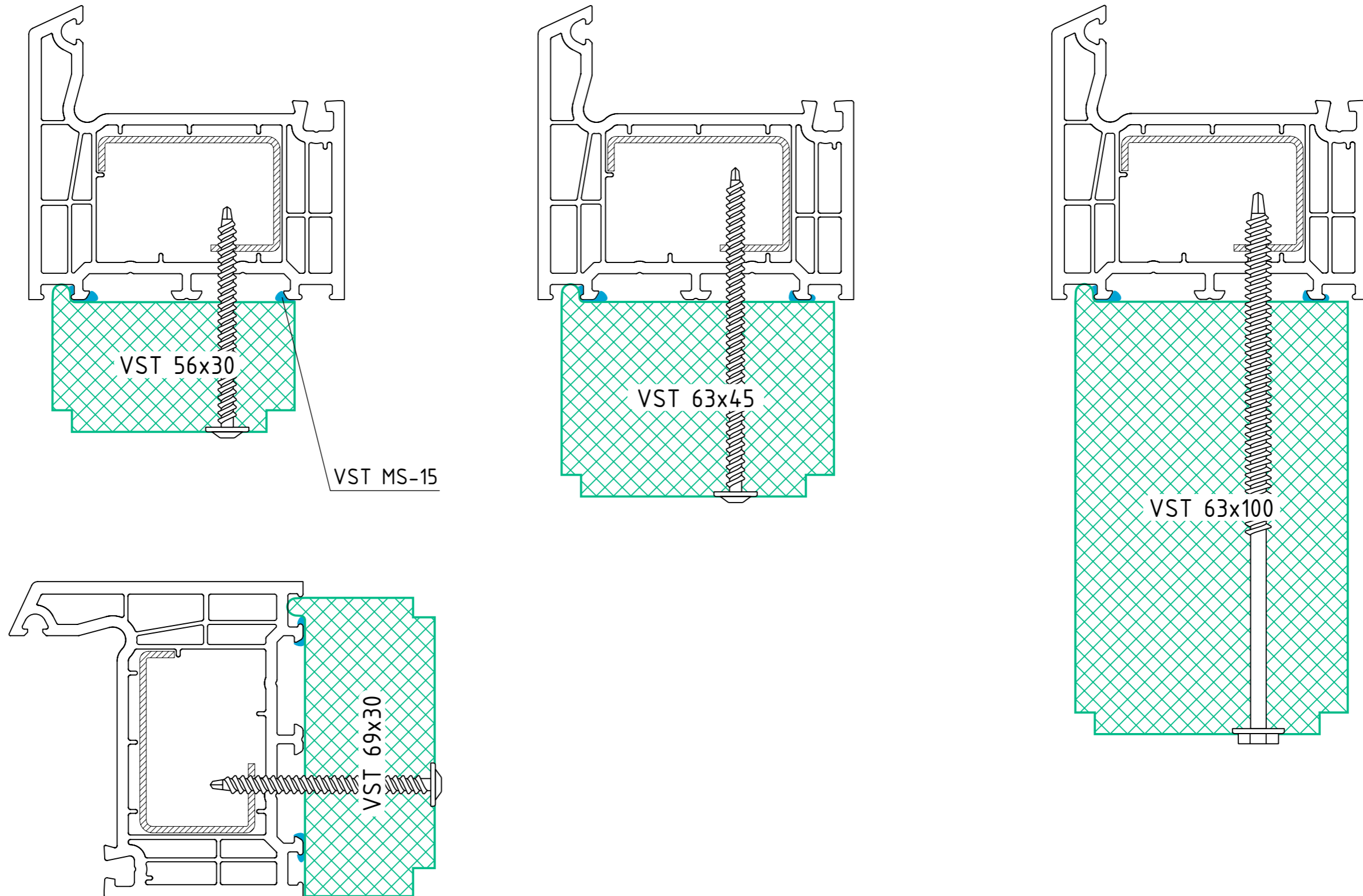
Thermal insulation profile VSThermo in combination with a window system Rehau SYNEGO



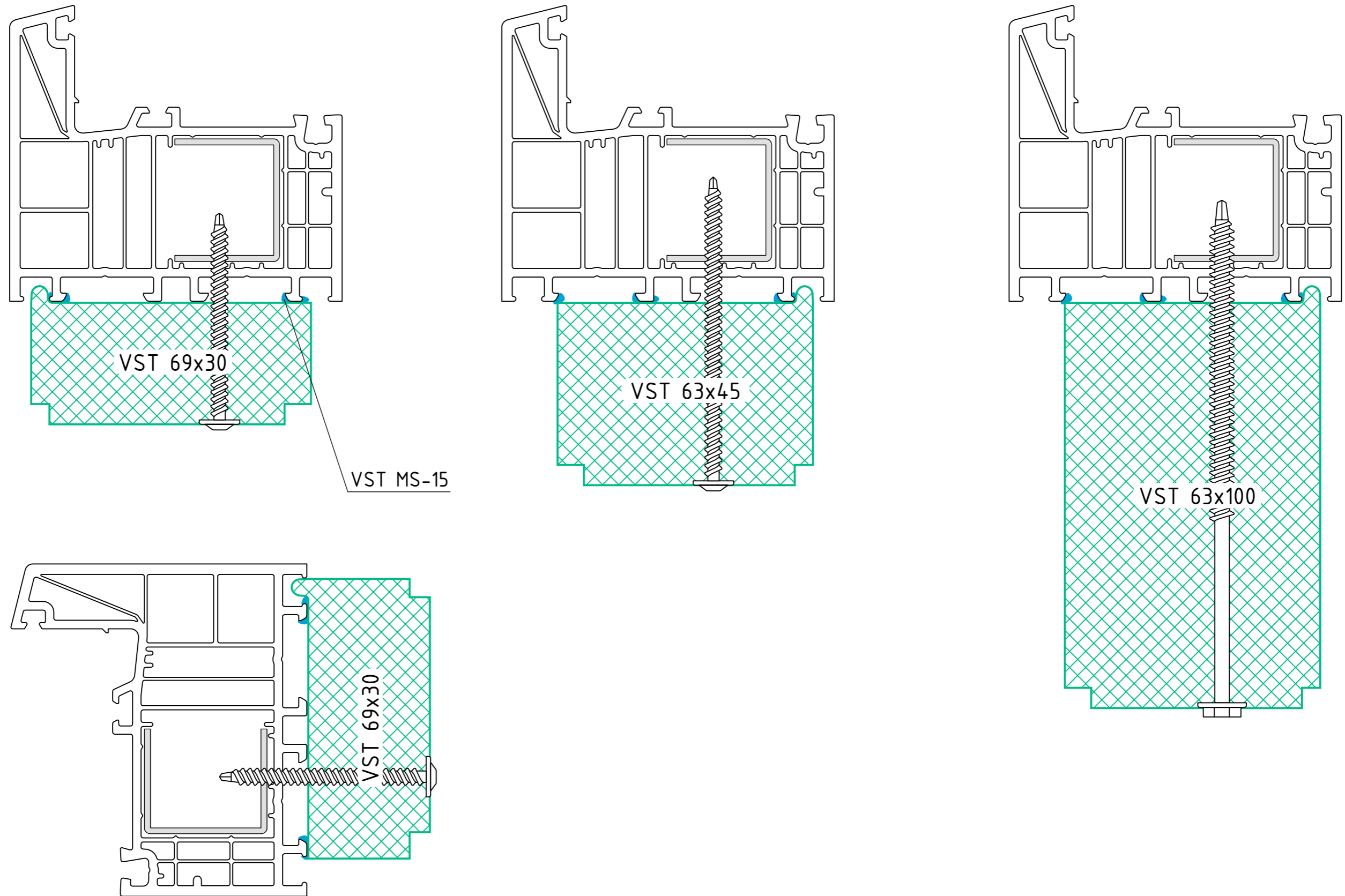
Thermal insulation profile VSThermo in combination with a window system Rehau GENE0



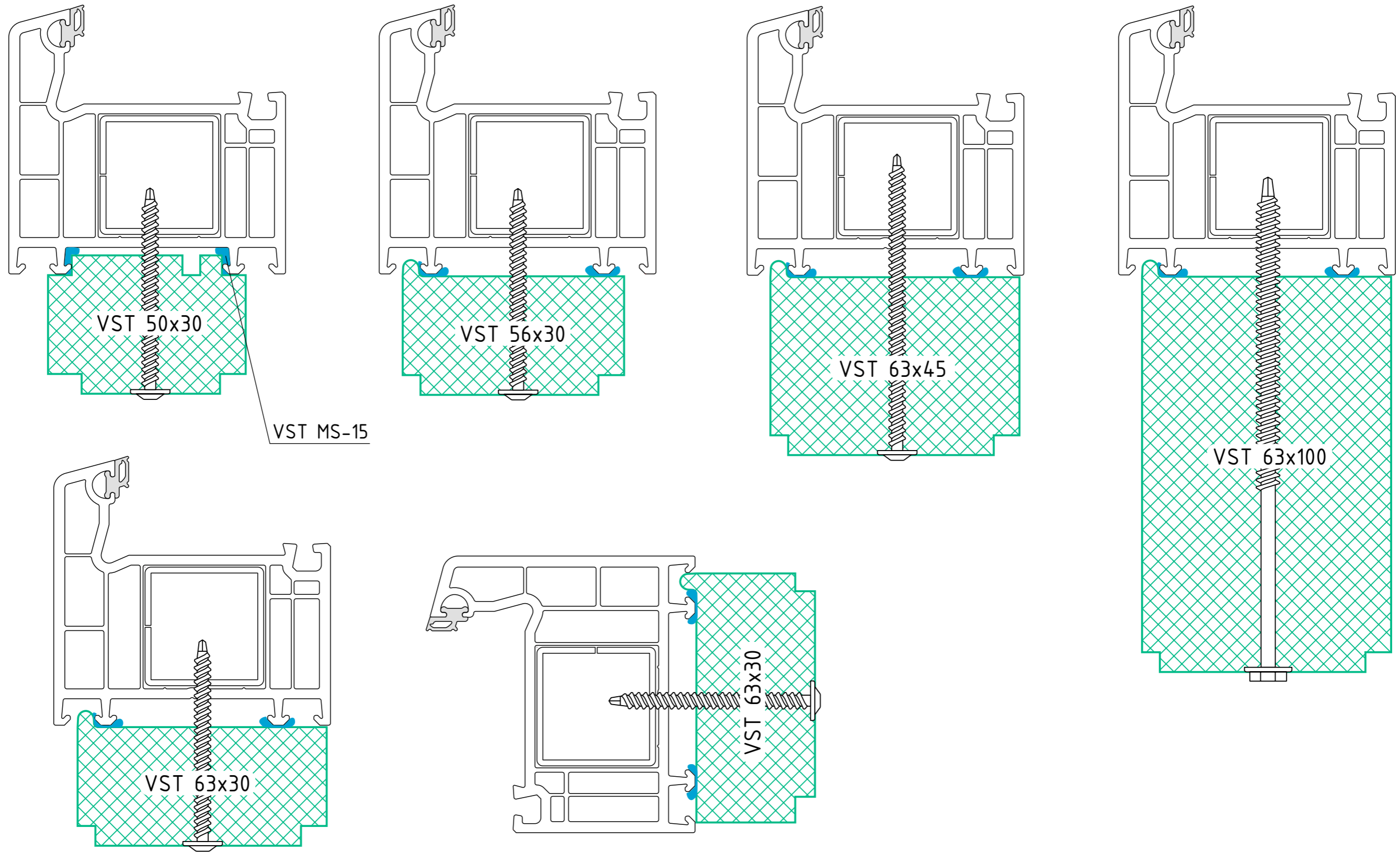
Thermal insulation profile VSThermo in combination with a window system Salamander bluEvolution 73



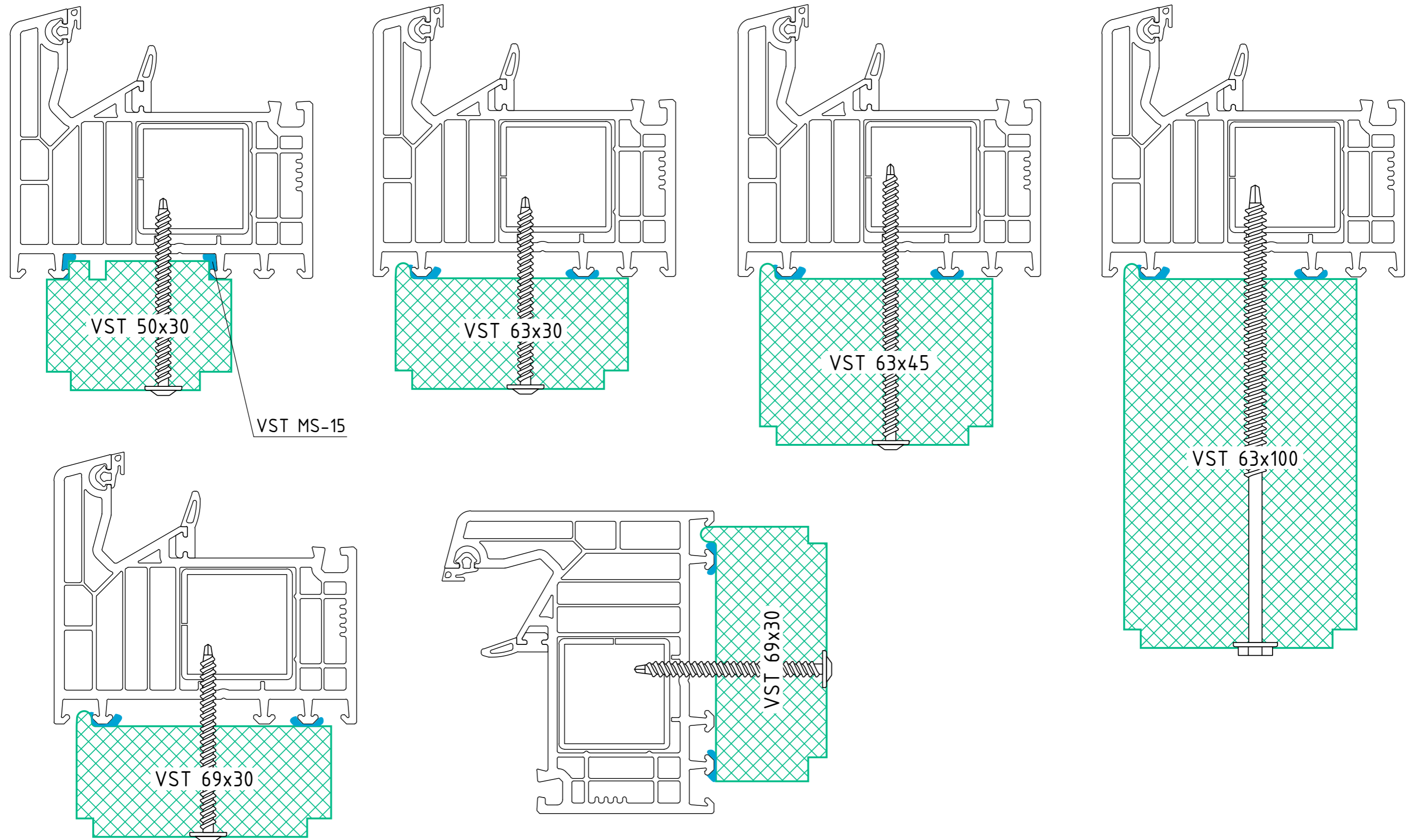
Thermal insulation profile VSThermo in combination with a window system Salamander bluEvolution 82



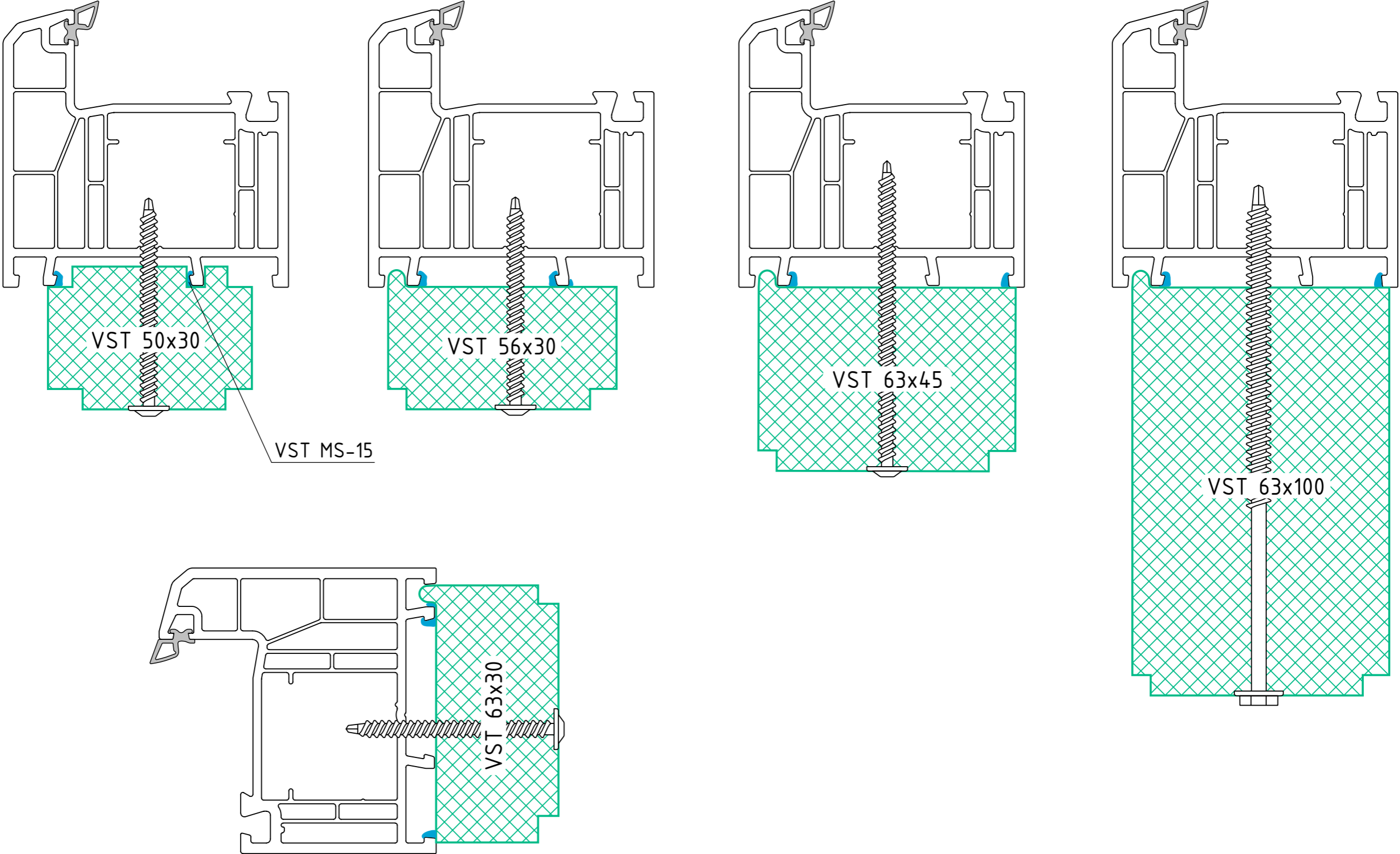
Thermal insulation profile VSThermo in combination with a window system VEKA Softline 70



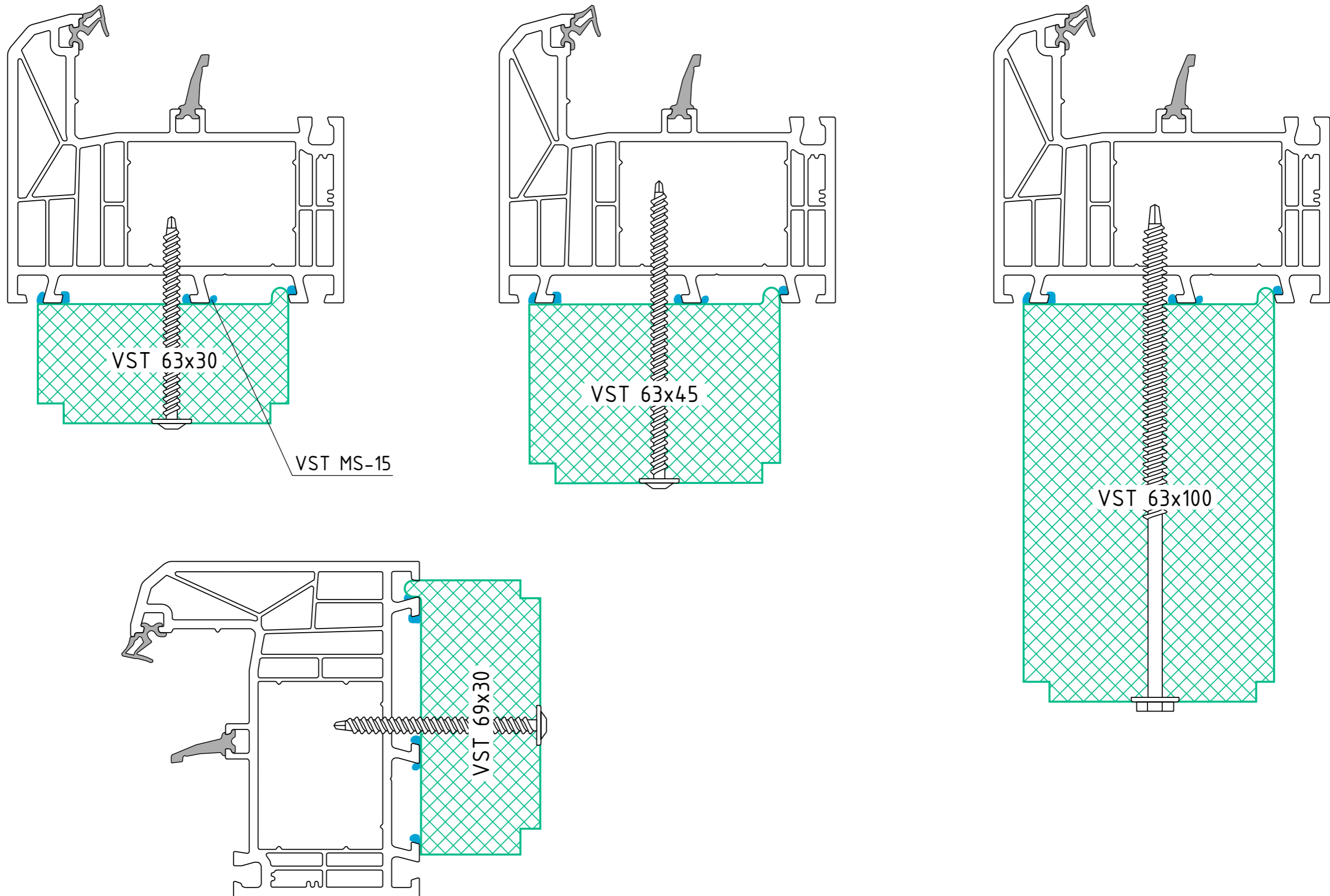
Thermal insulation profile VSThermo in combination with a window system VEKA Softline 82



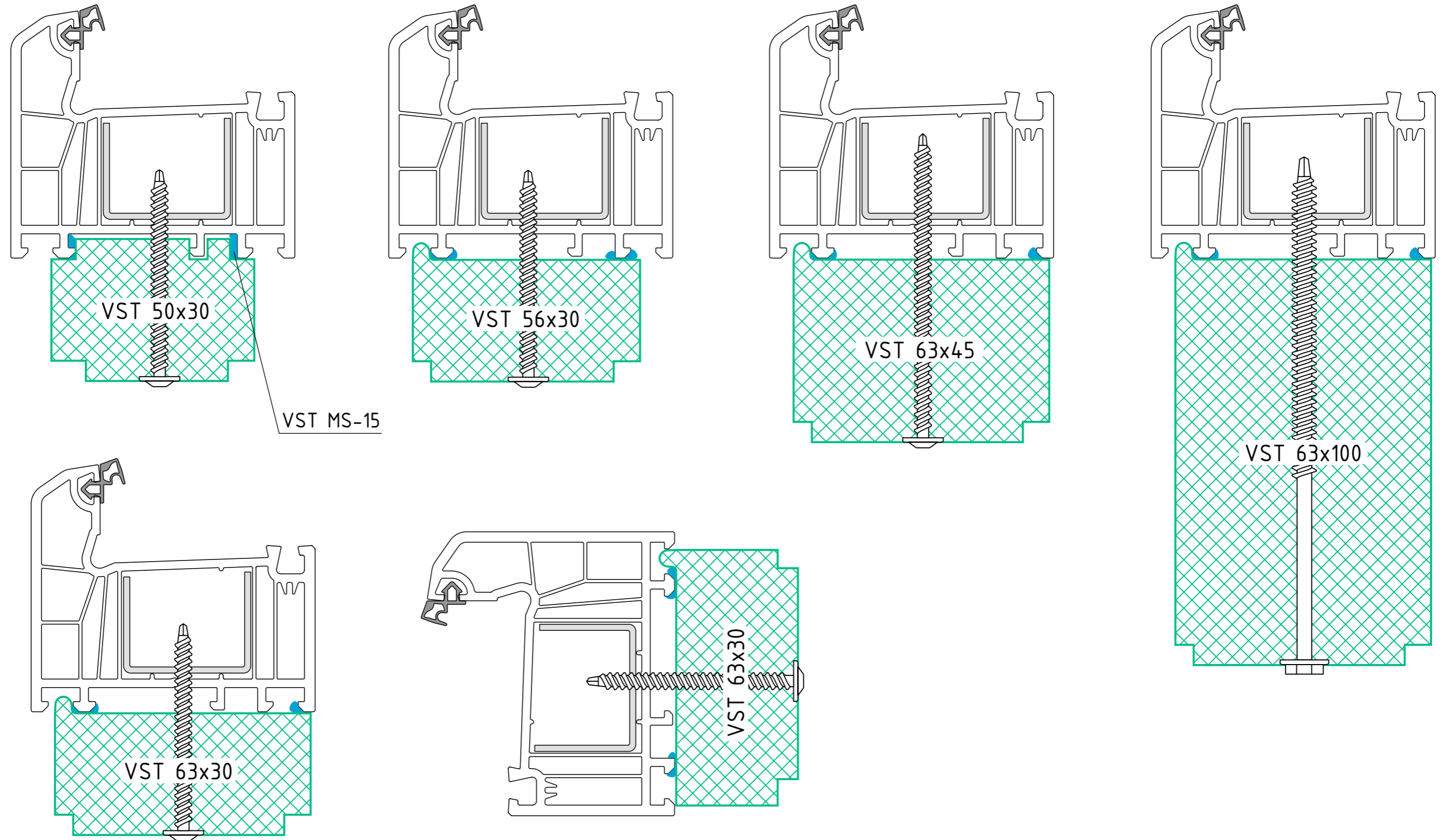
Thermal insulation profile VSThermo in combination with a window system VIKNALAND B70 / GLASSO 7S



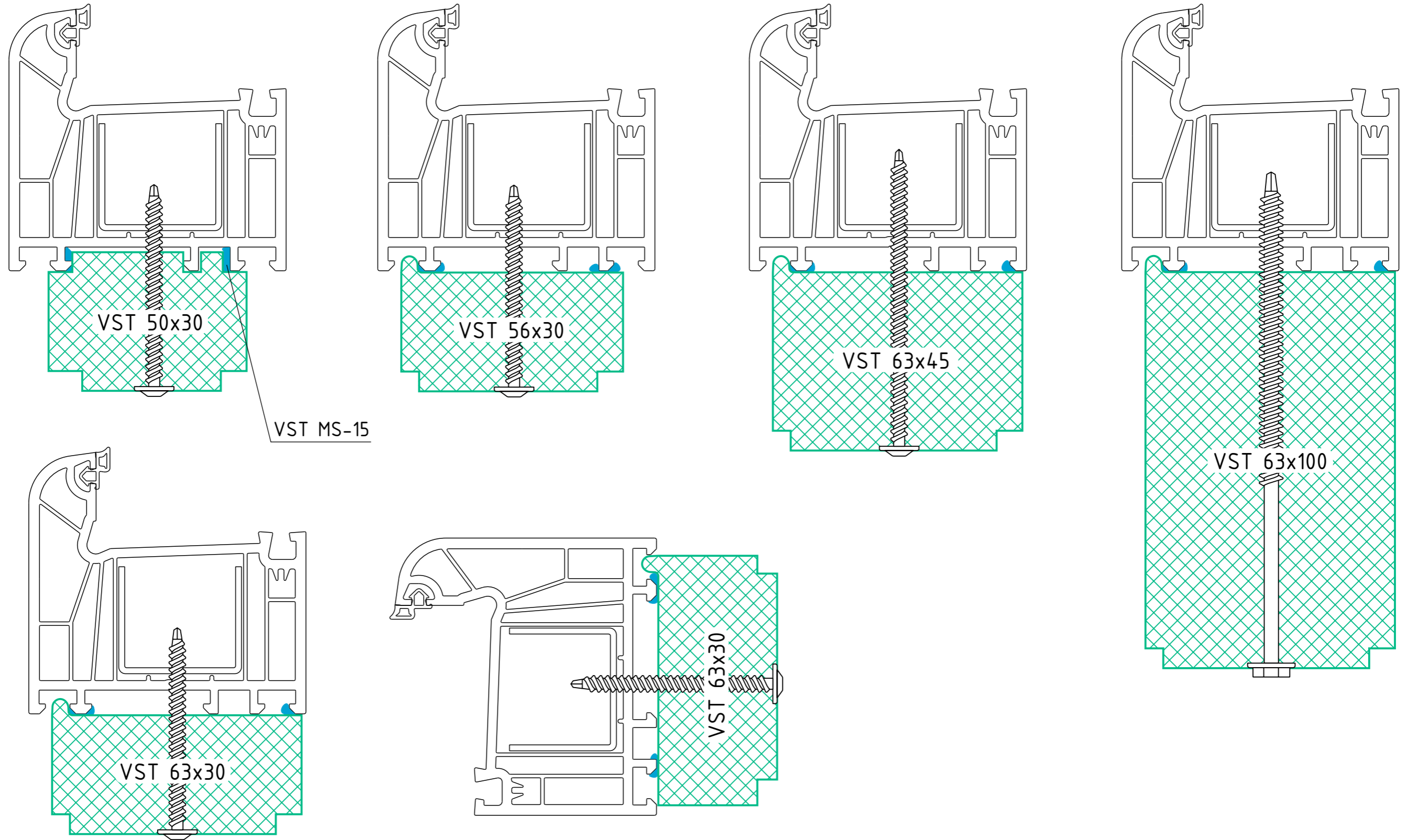
Thermal insulation profile VSThermo in combination with a window system VIKNALAND 85Pro / GLASSO 85Pro



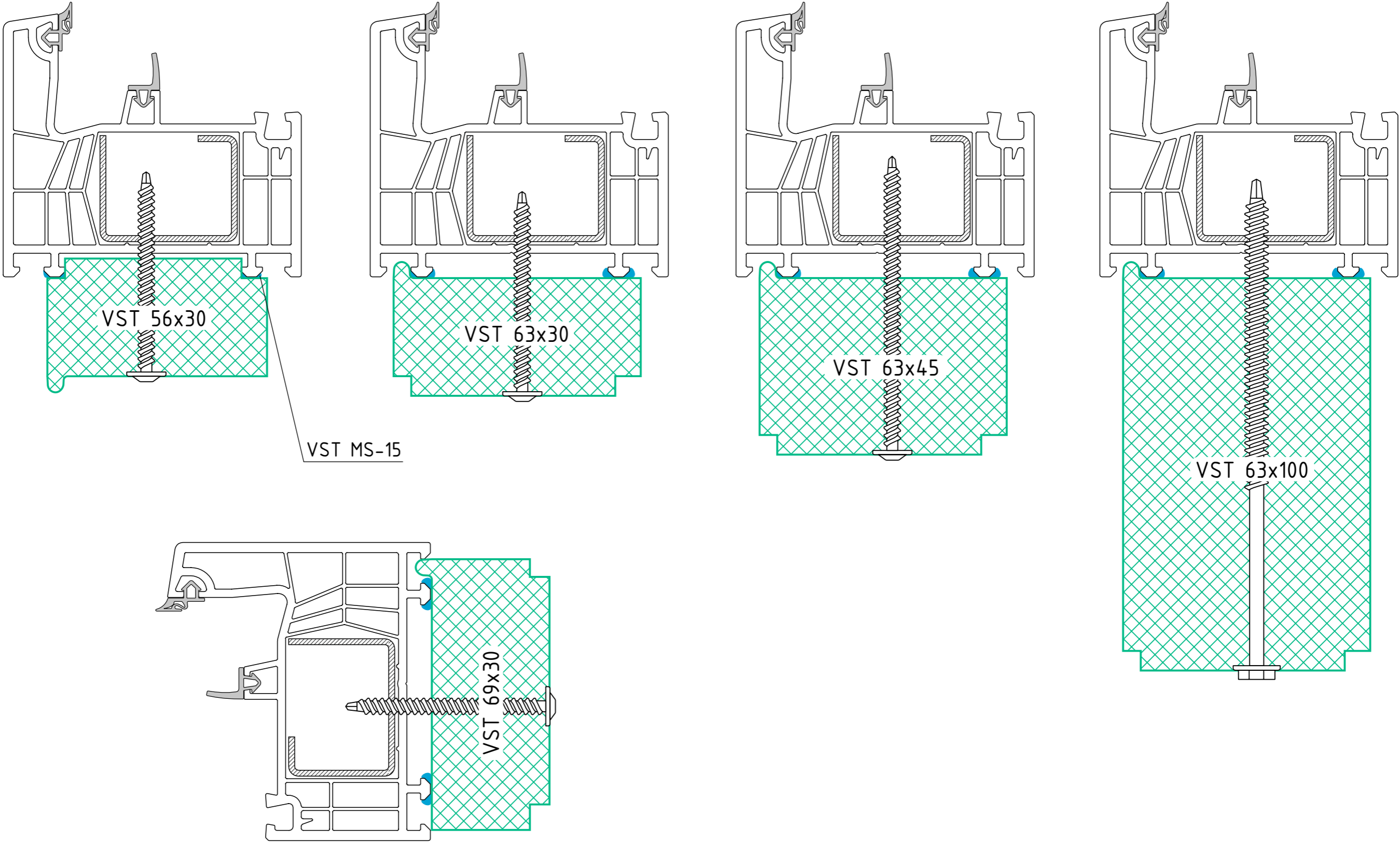
Thermal insulation profile VSThermo in combination with a window system WDS 6S



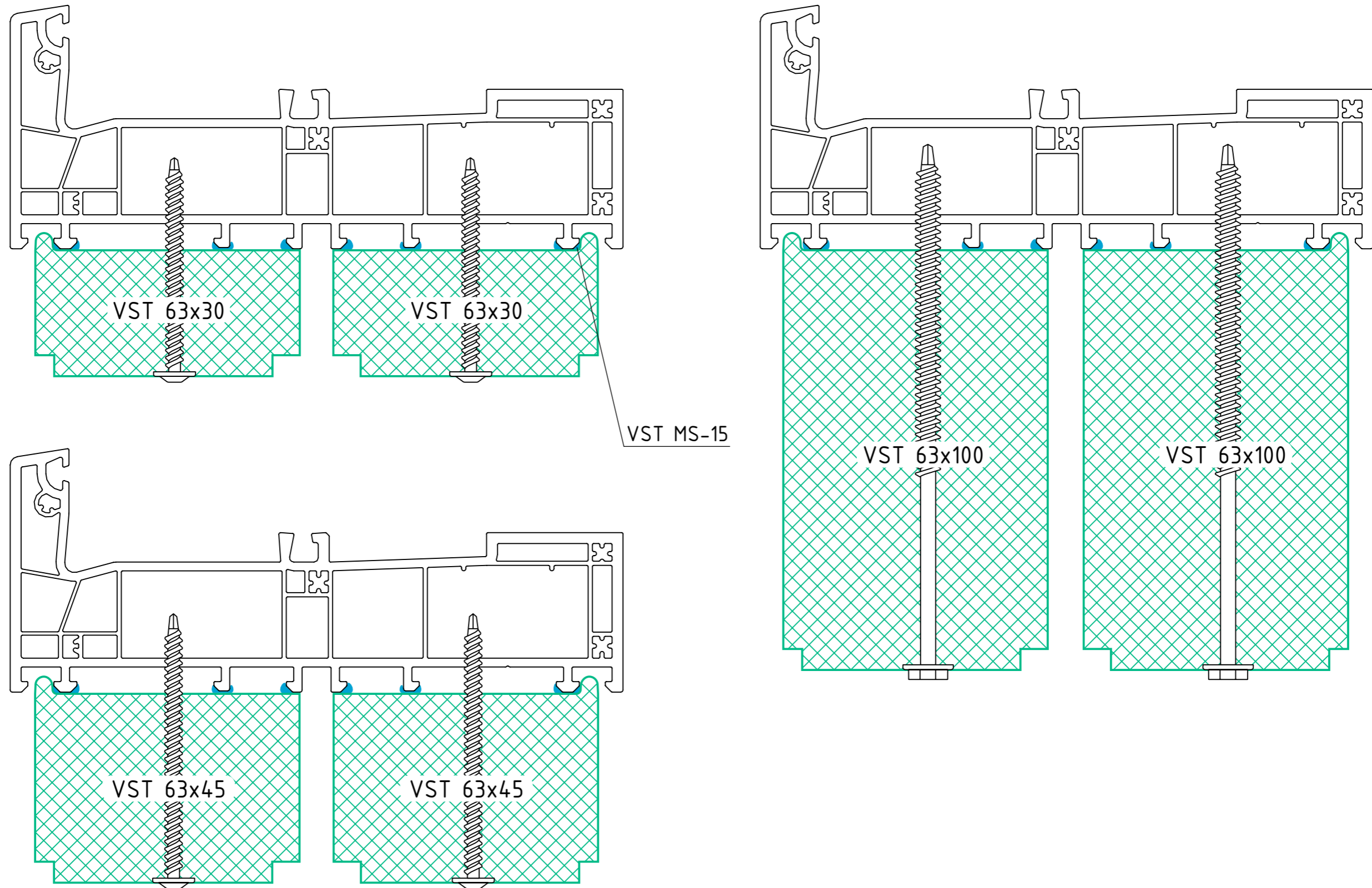
Thermal insulation profile VSThermo in combination with a window system WDS 7S



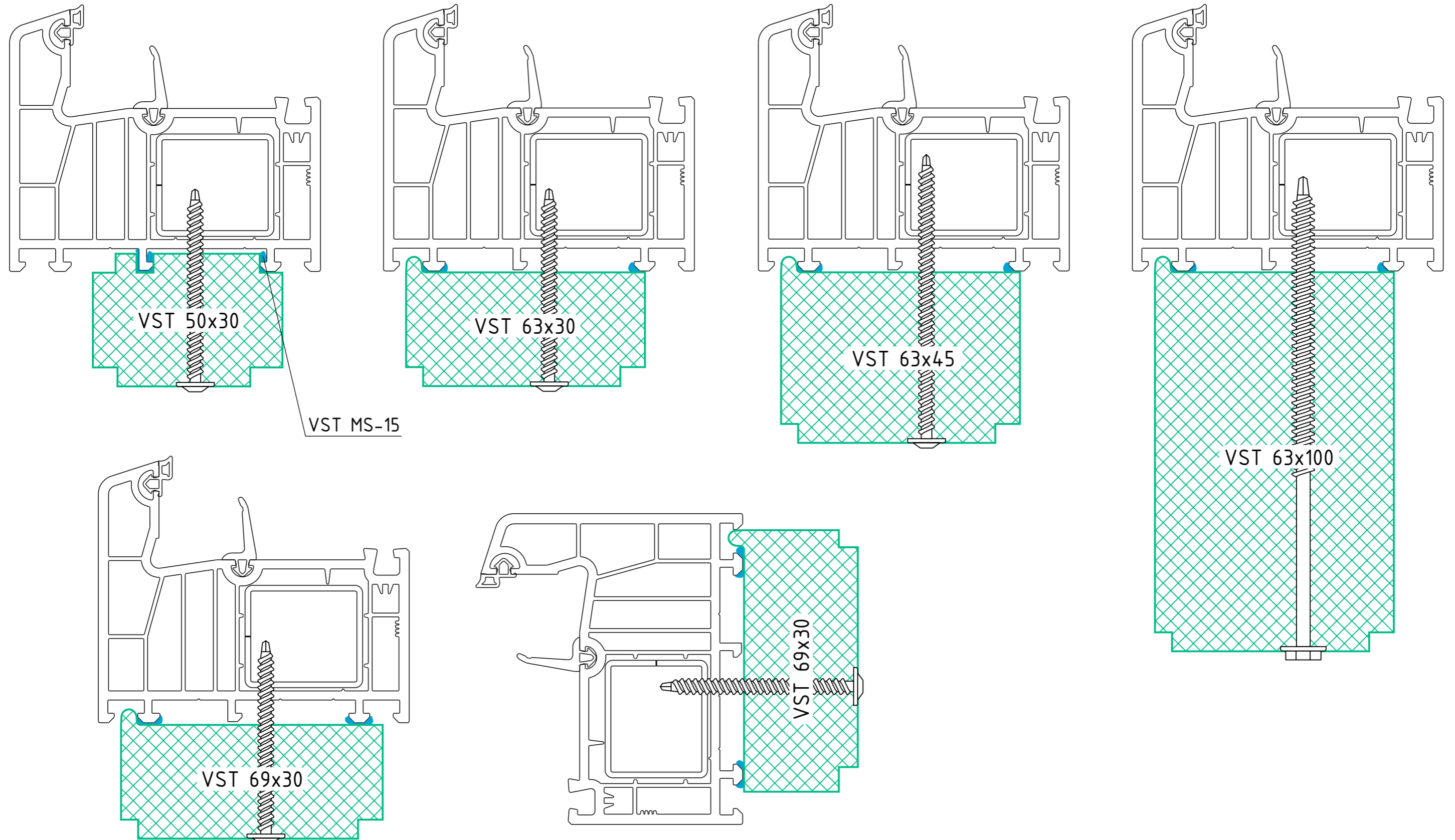
Thermal insulation profile VSThermo in combination with a window system WDS 76MD



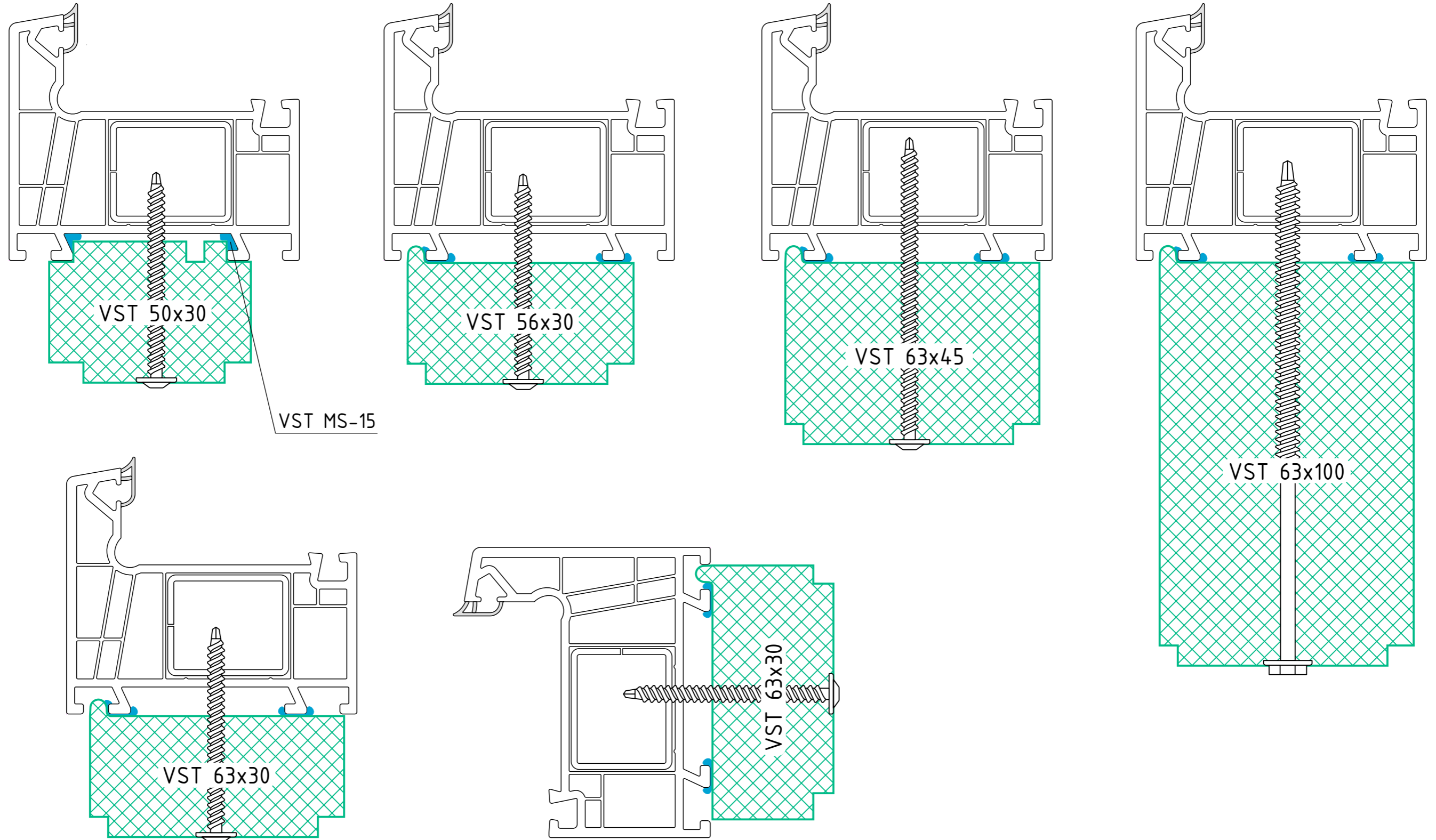
Thermal insulation profile VSThermo in combination with a window system WDS SL76



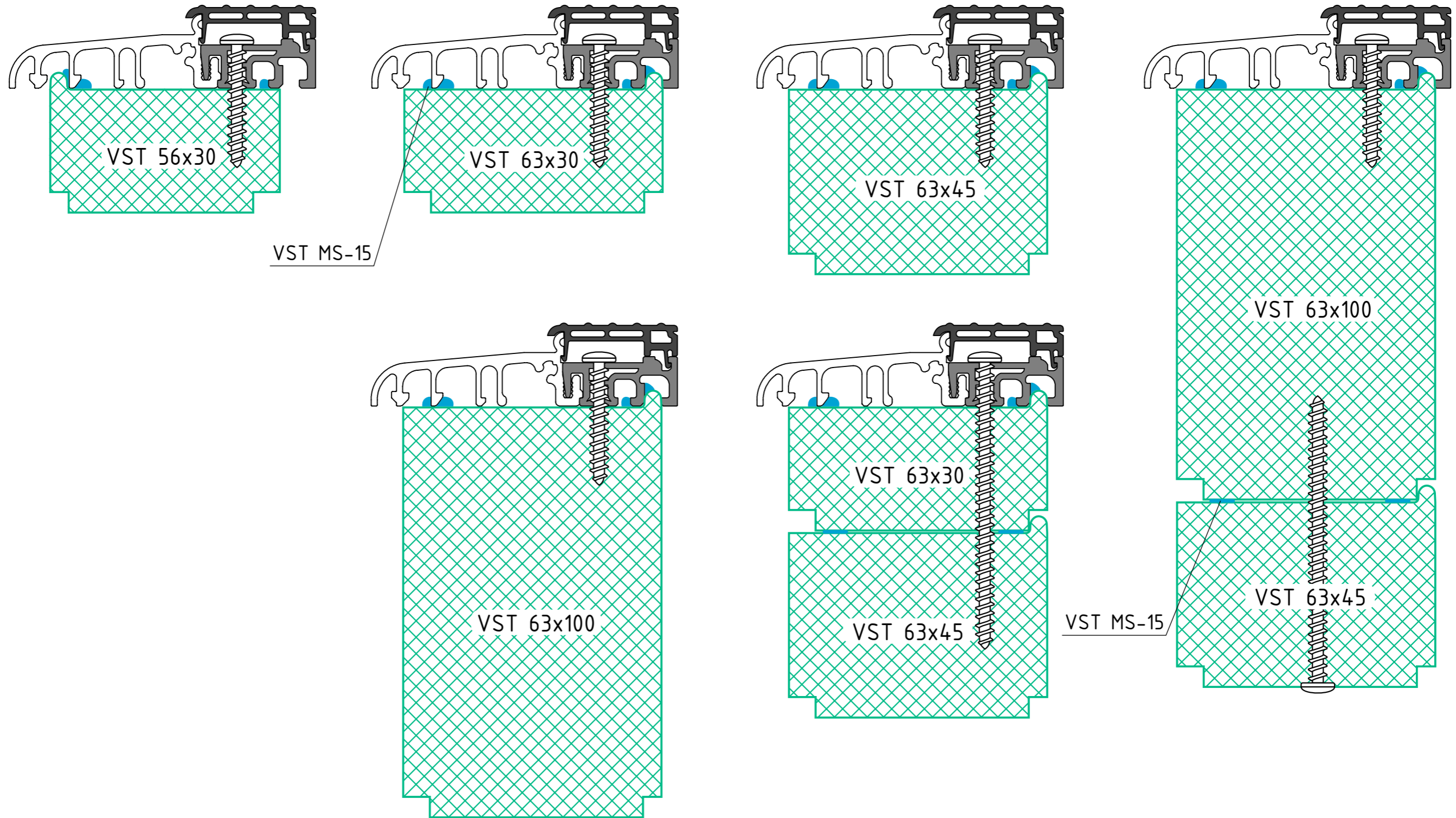
Thermal insulation profile VSThermo in combination with a window system WDS 8S



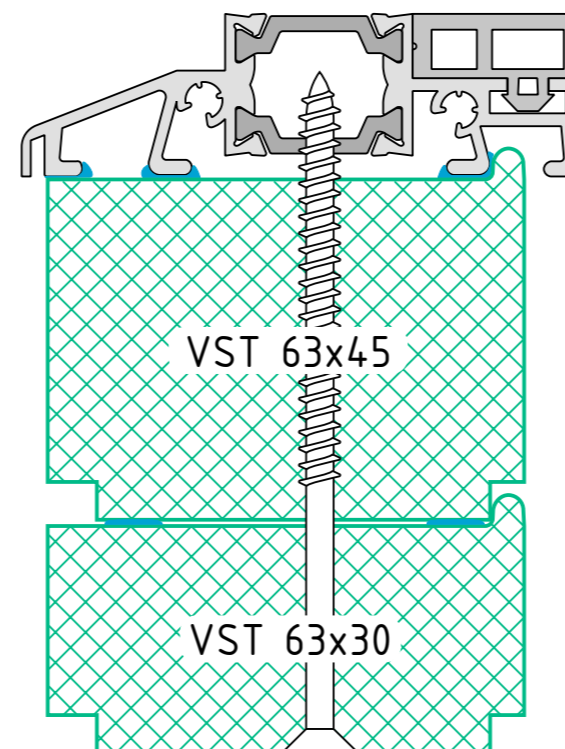
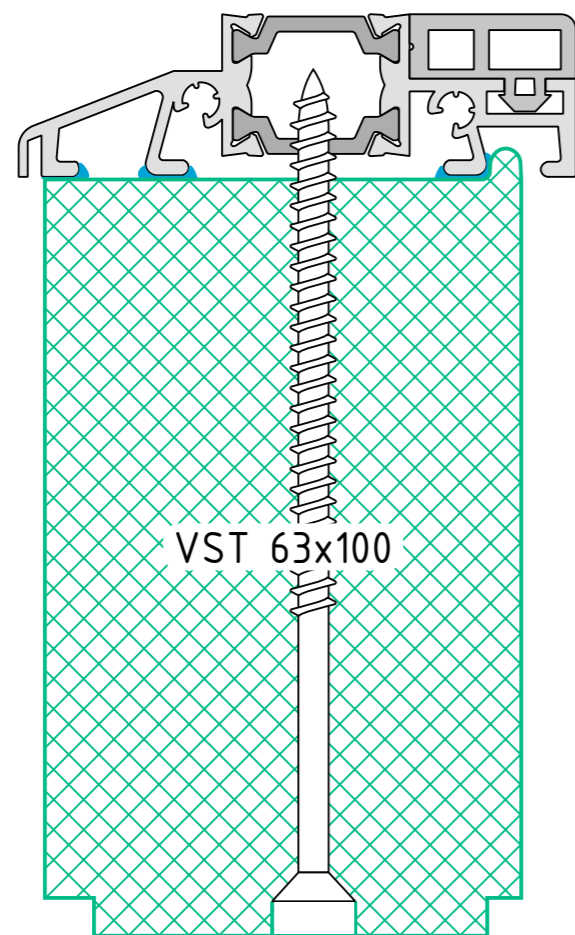
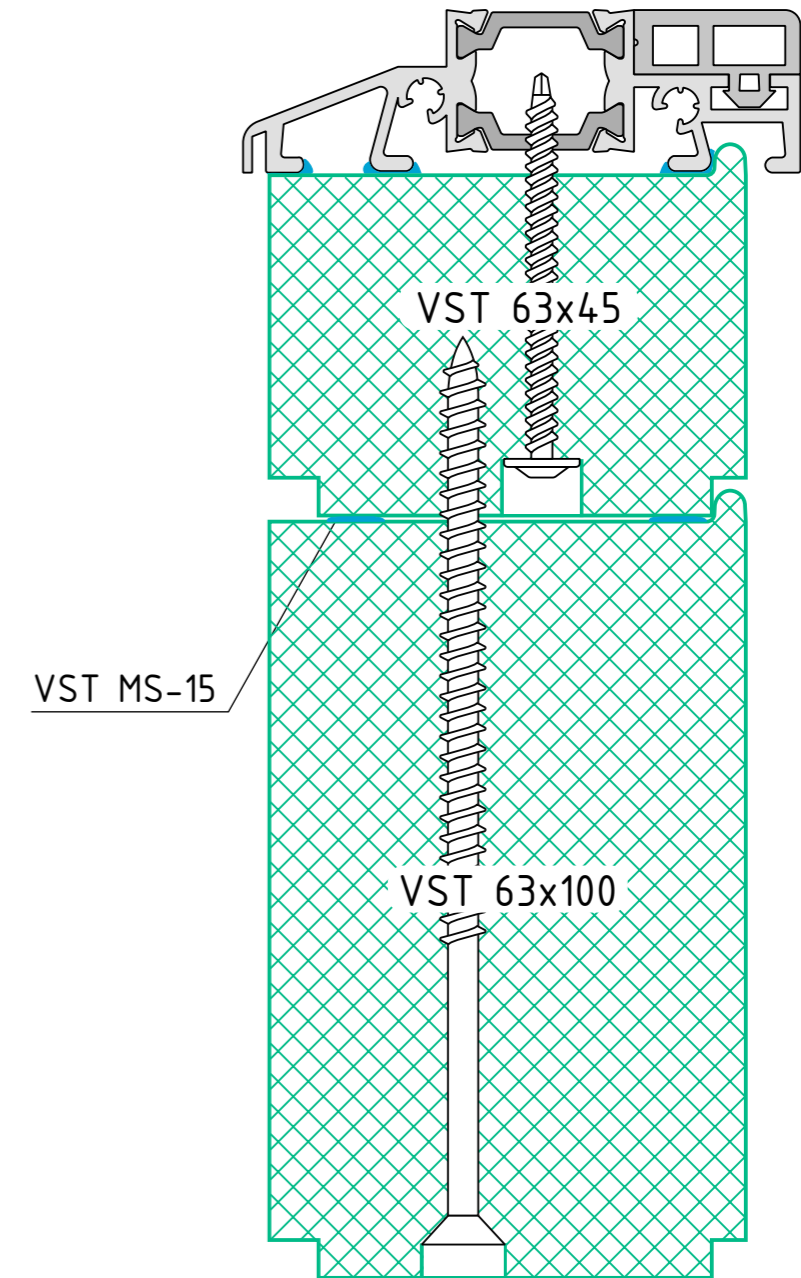
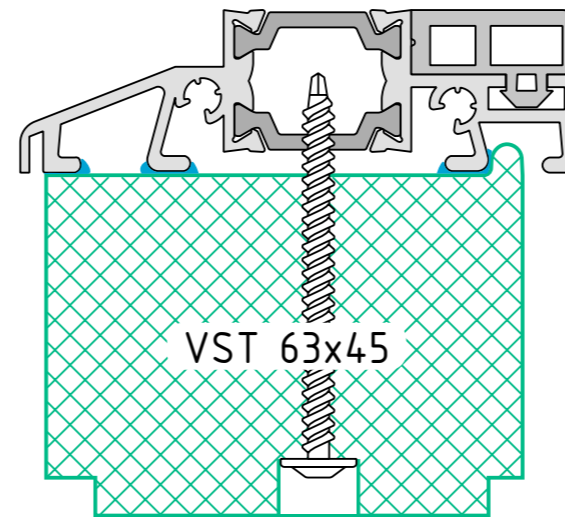
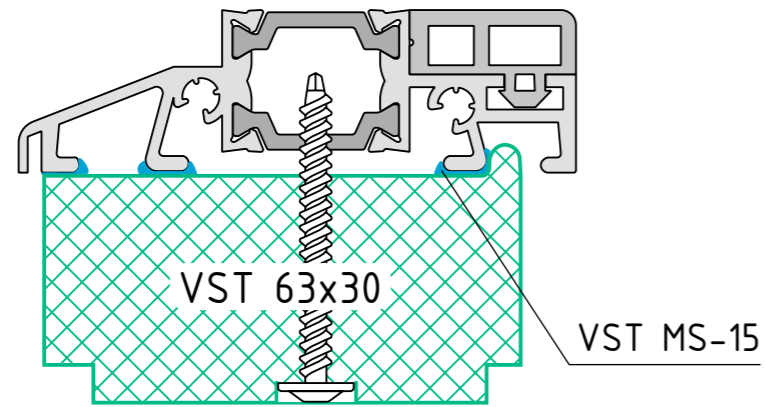
Thermal insulation profile VSThermo in combination with a window system WHS 72



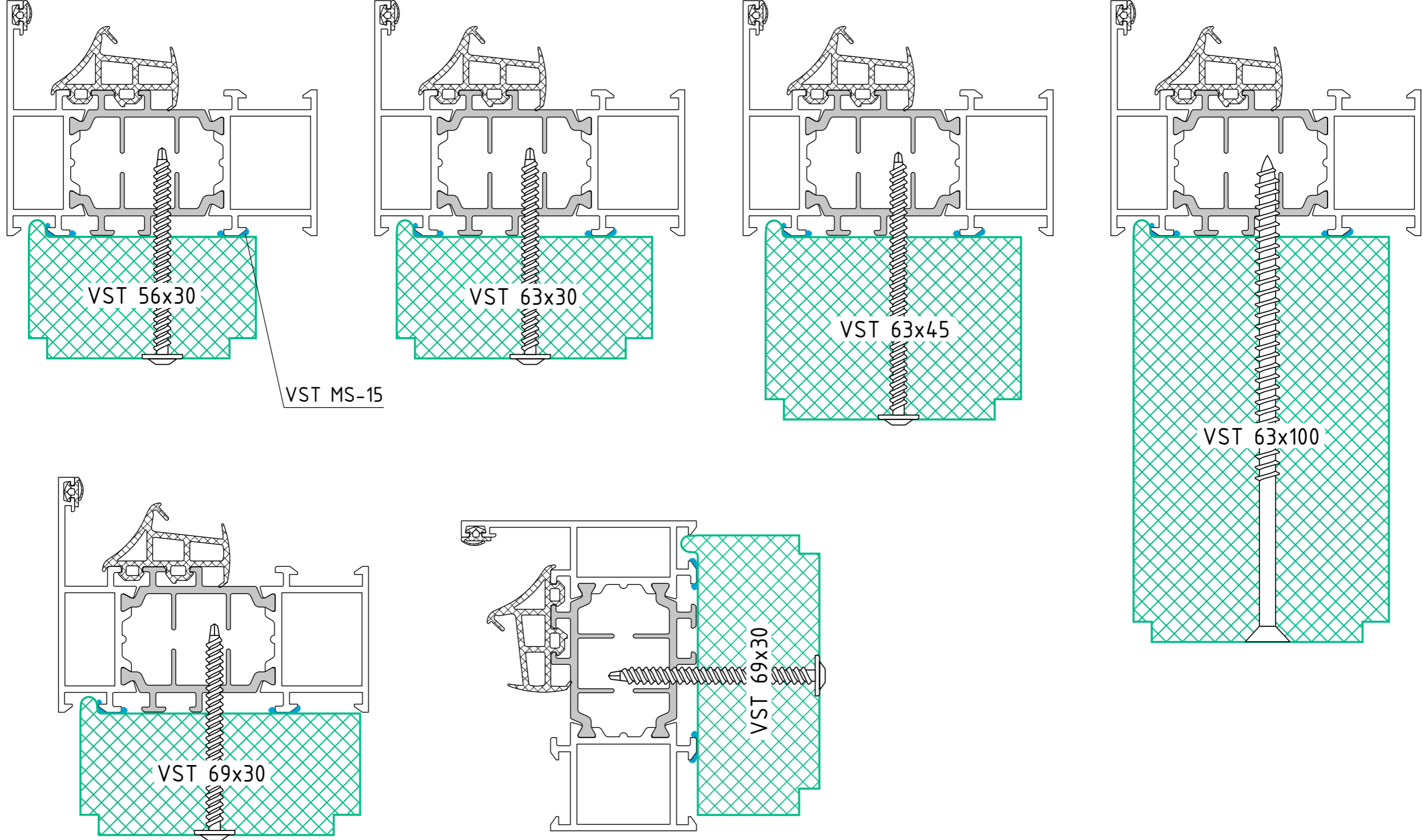
Thermal insulation profile VSThermo in combination with door sills Eifel Tb75



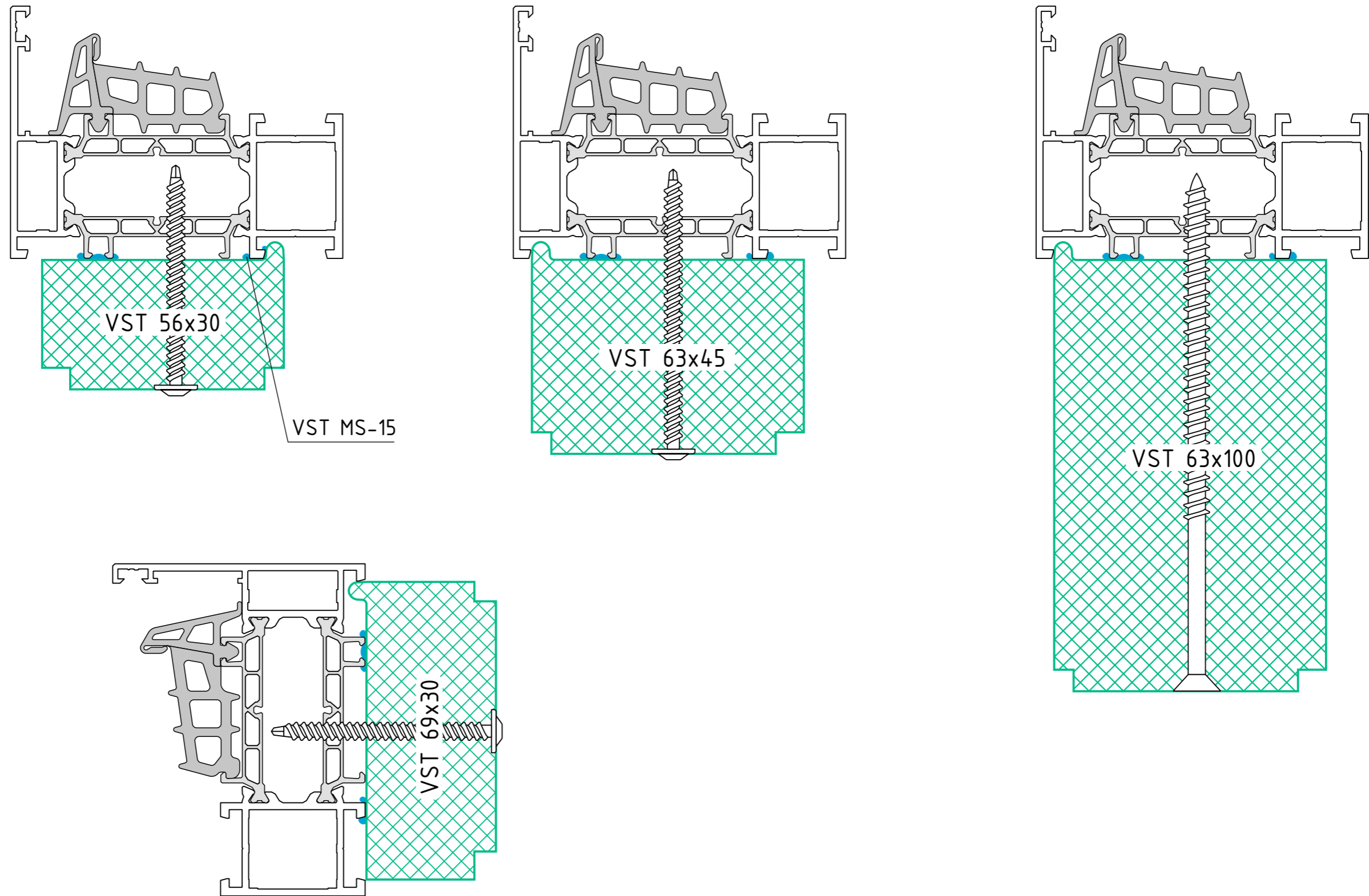
Thermal insulation profile VSThermo in combination with door sills WDS D000114



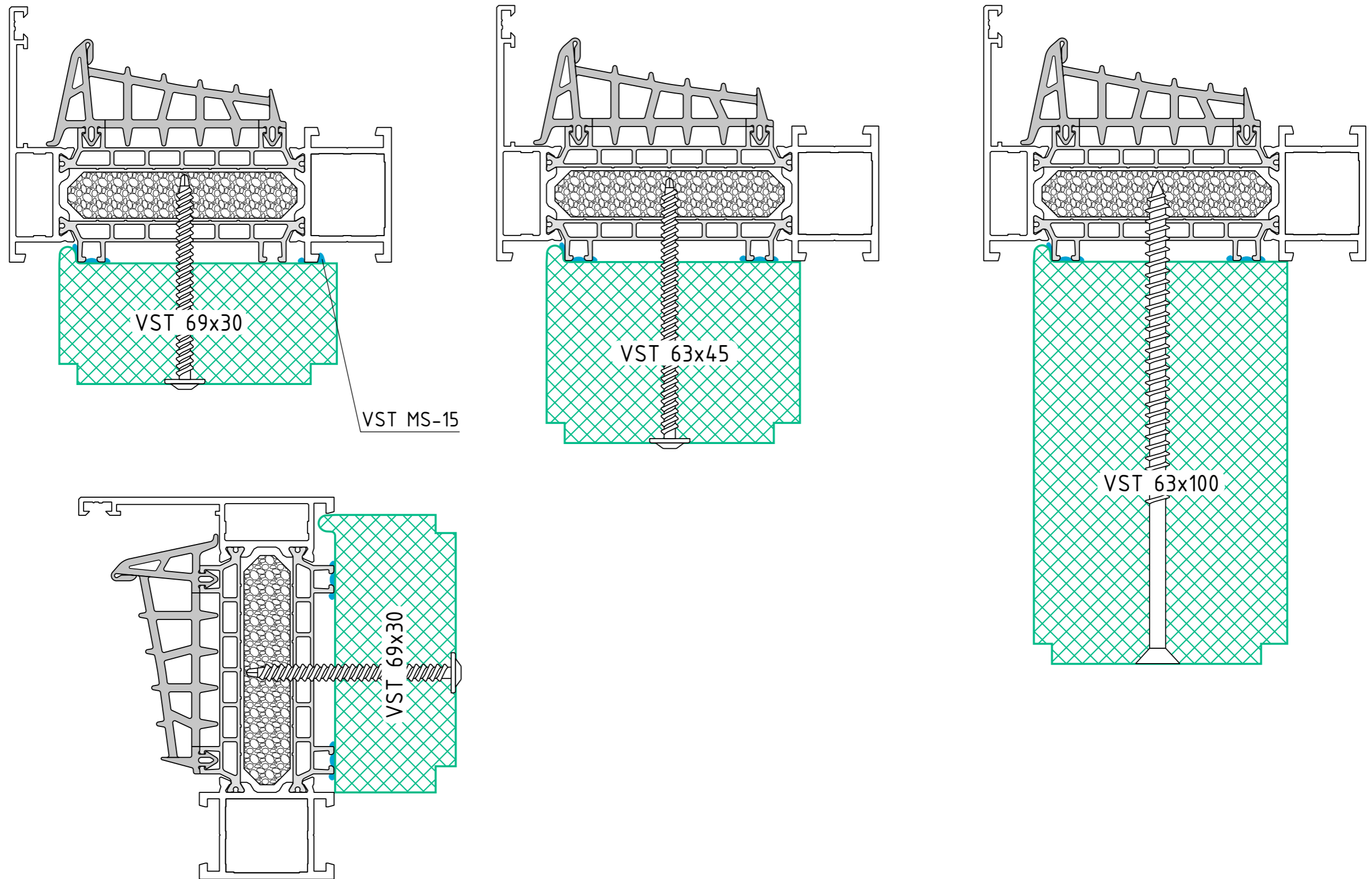
Thermal insulation profile VSThermo in combination with a aluminum window system Alumil M11500



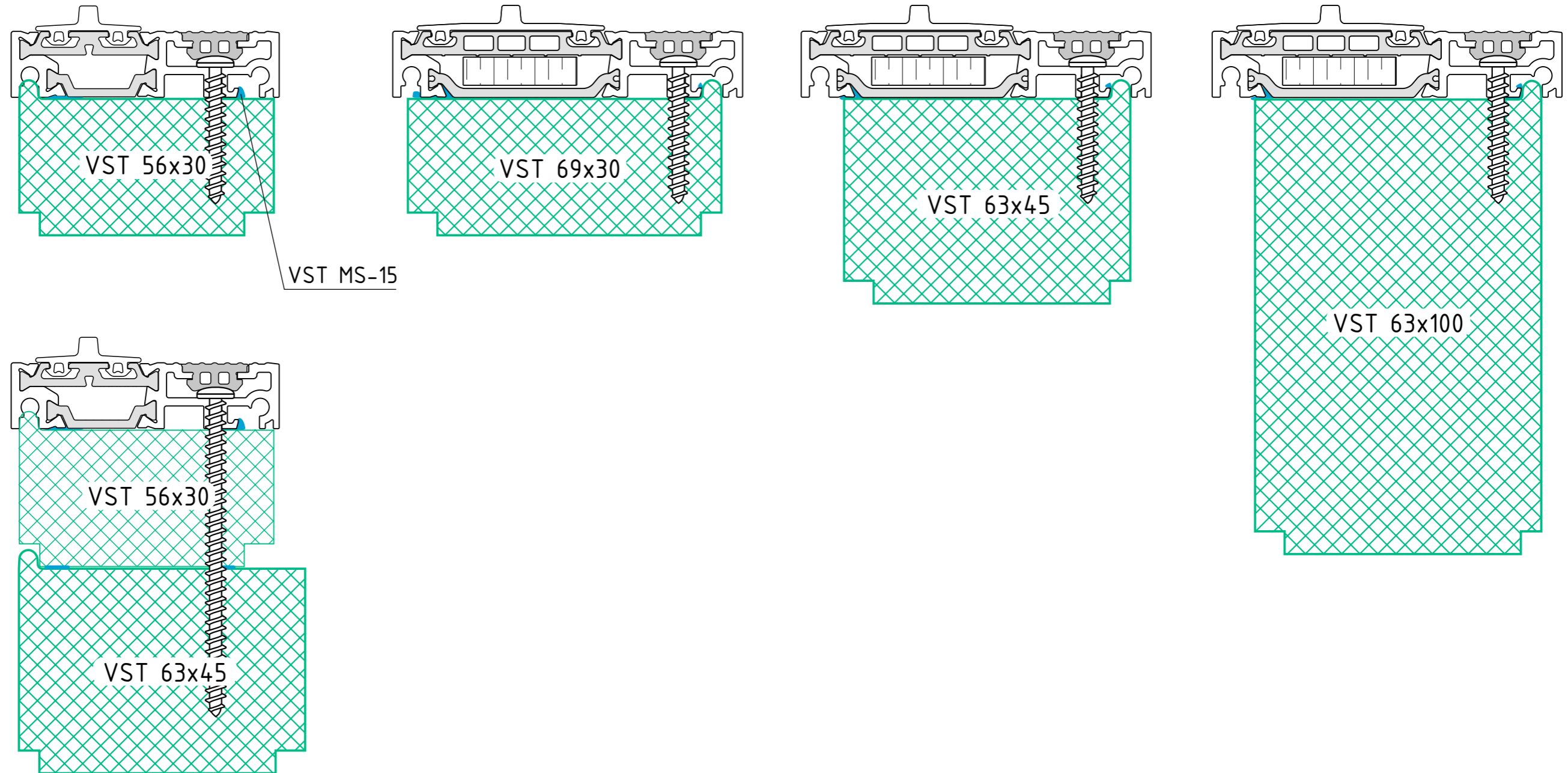
Thermal insulation profile VSThermo in combination with a aluminum window system Aluprof MB-86



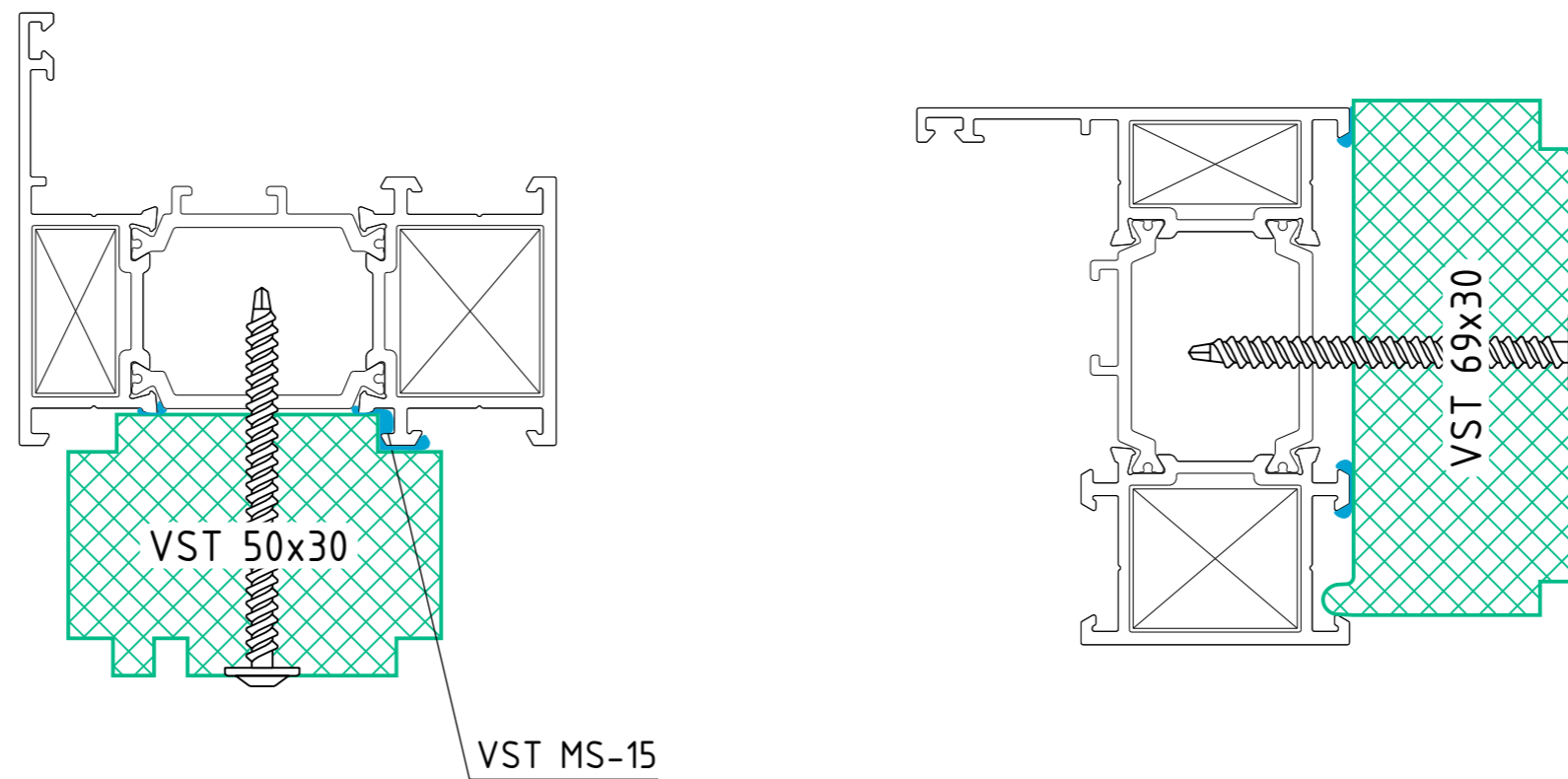
Thermal insulation profile VSThermo in combination with a aluminum window system Aluprof MB-104



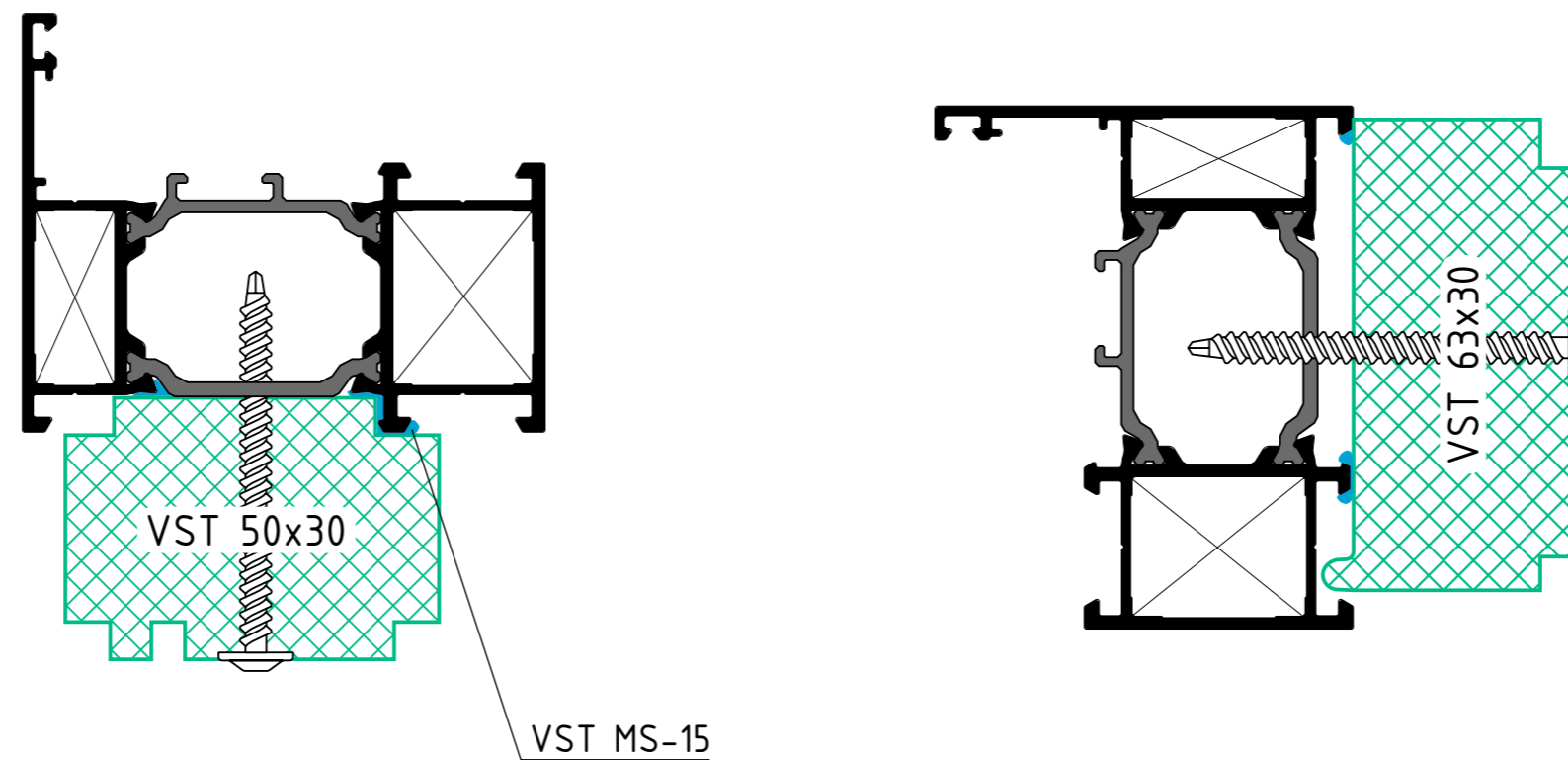
Thermal insulation profile VSThermo in combination with a door sills Aluprof



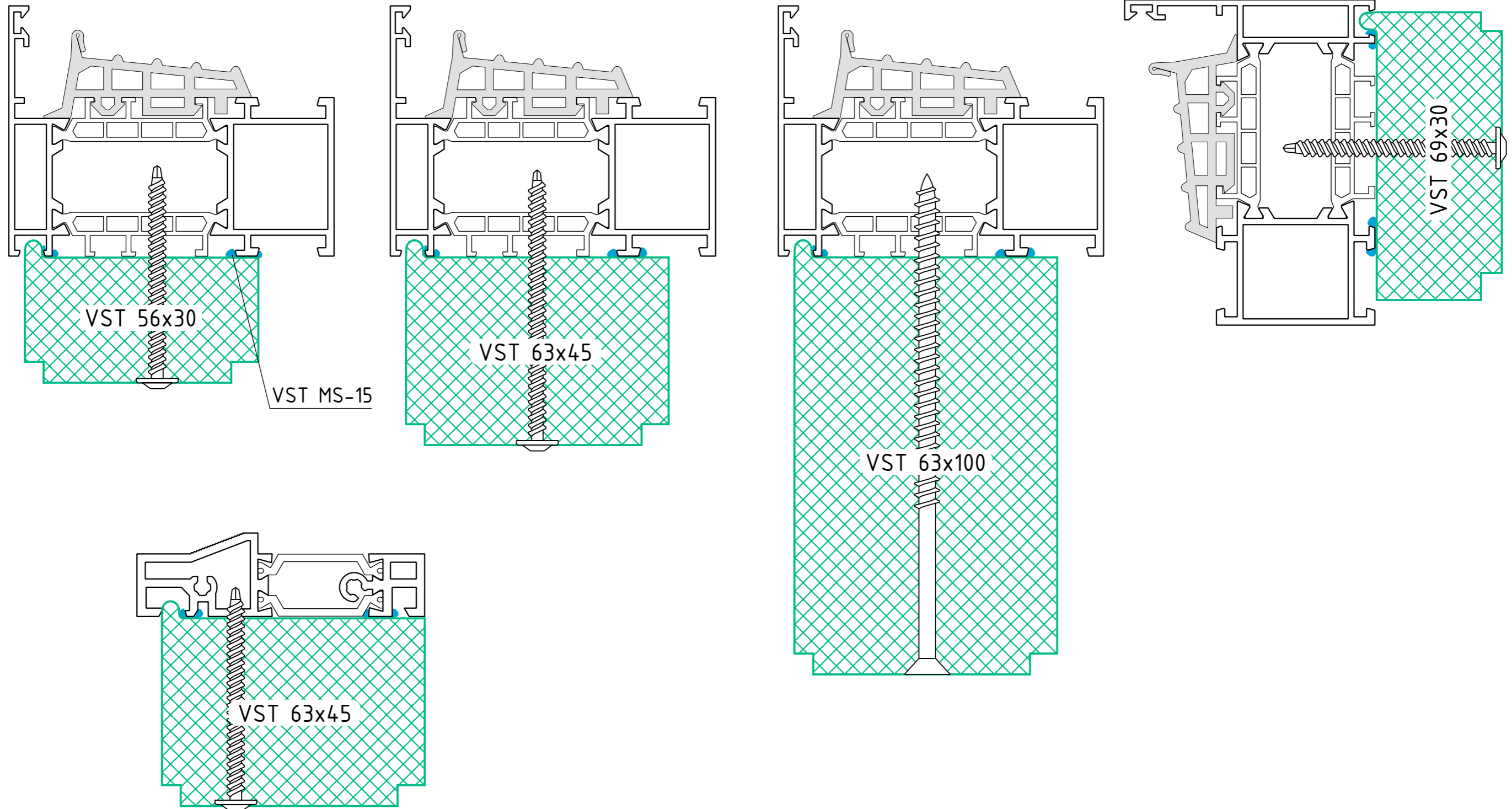
Thermal insulation profile VSThermo in combination with a aluminum window system Framex FT72



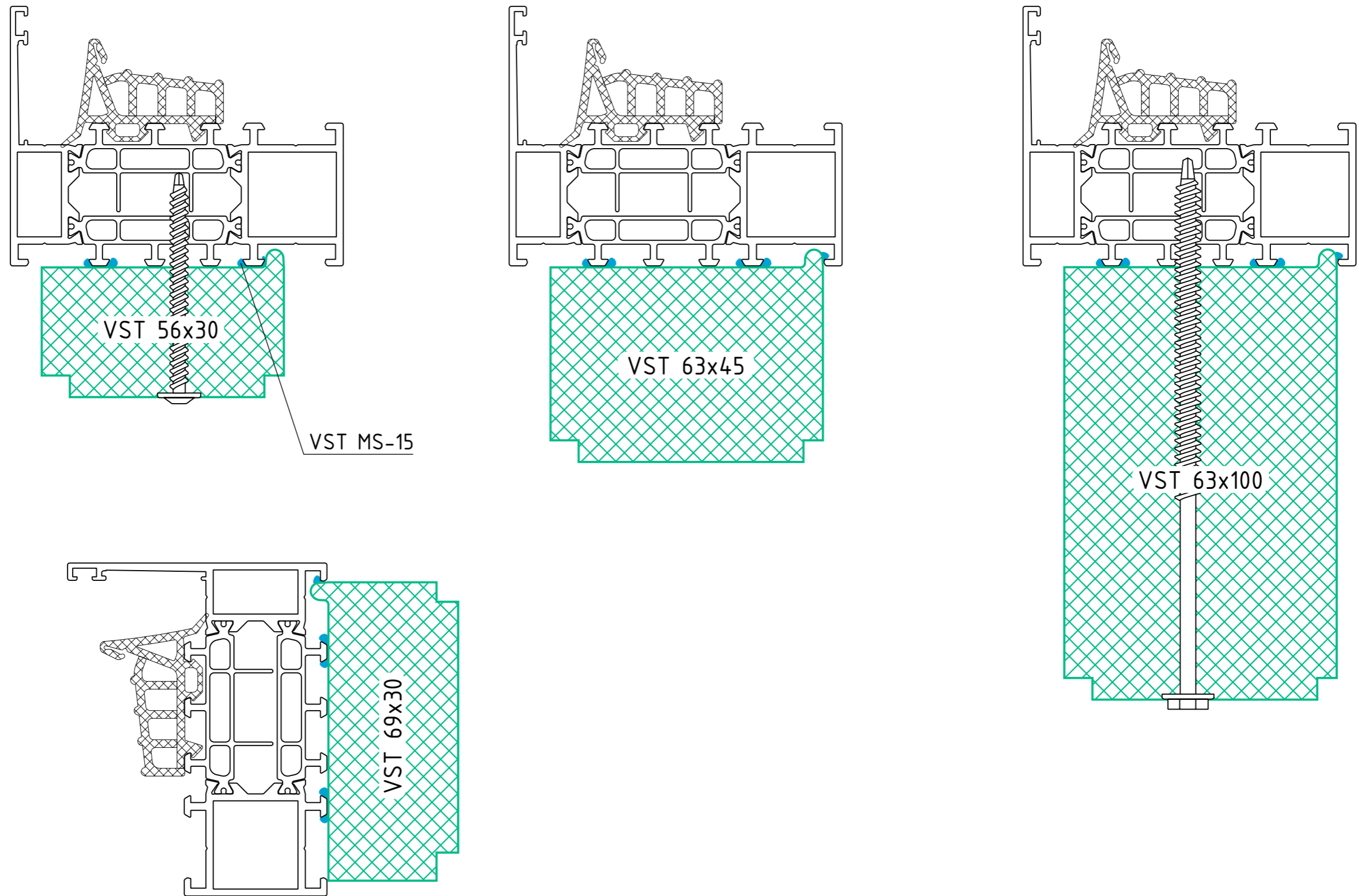
Thermal insulation profile VSThermo in combination with a aluminum window system KMD 70



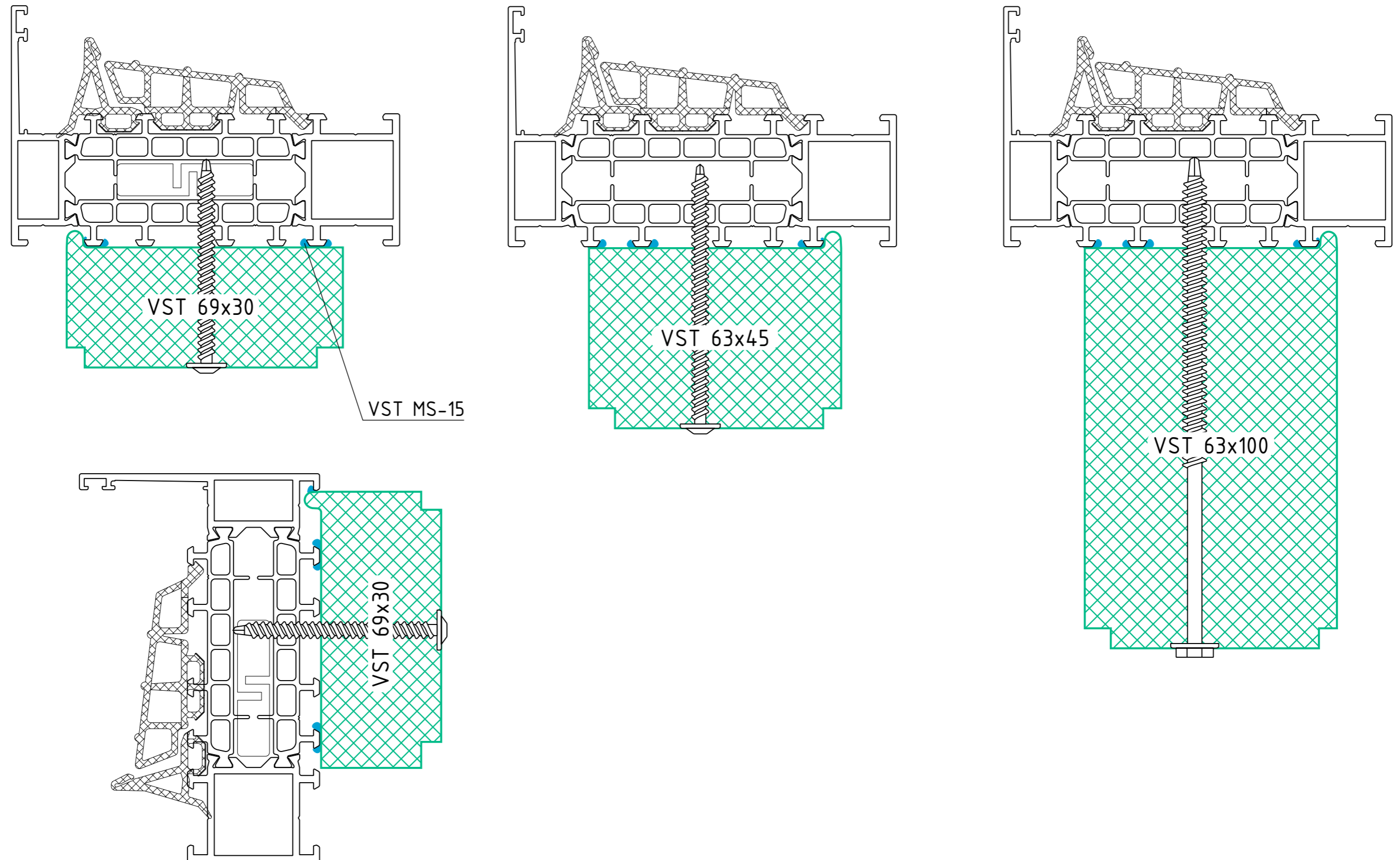
Thermal insulation profile VSThermo in combination with a aluminum window system PONZIO PE78N



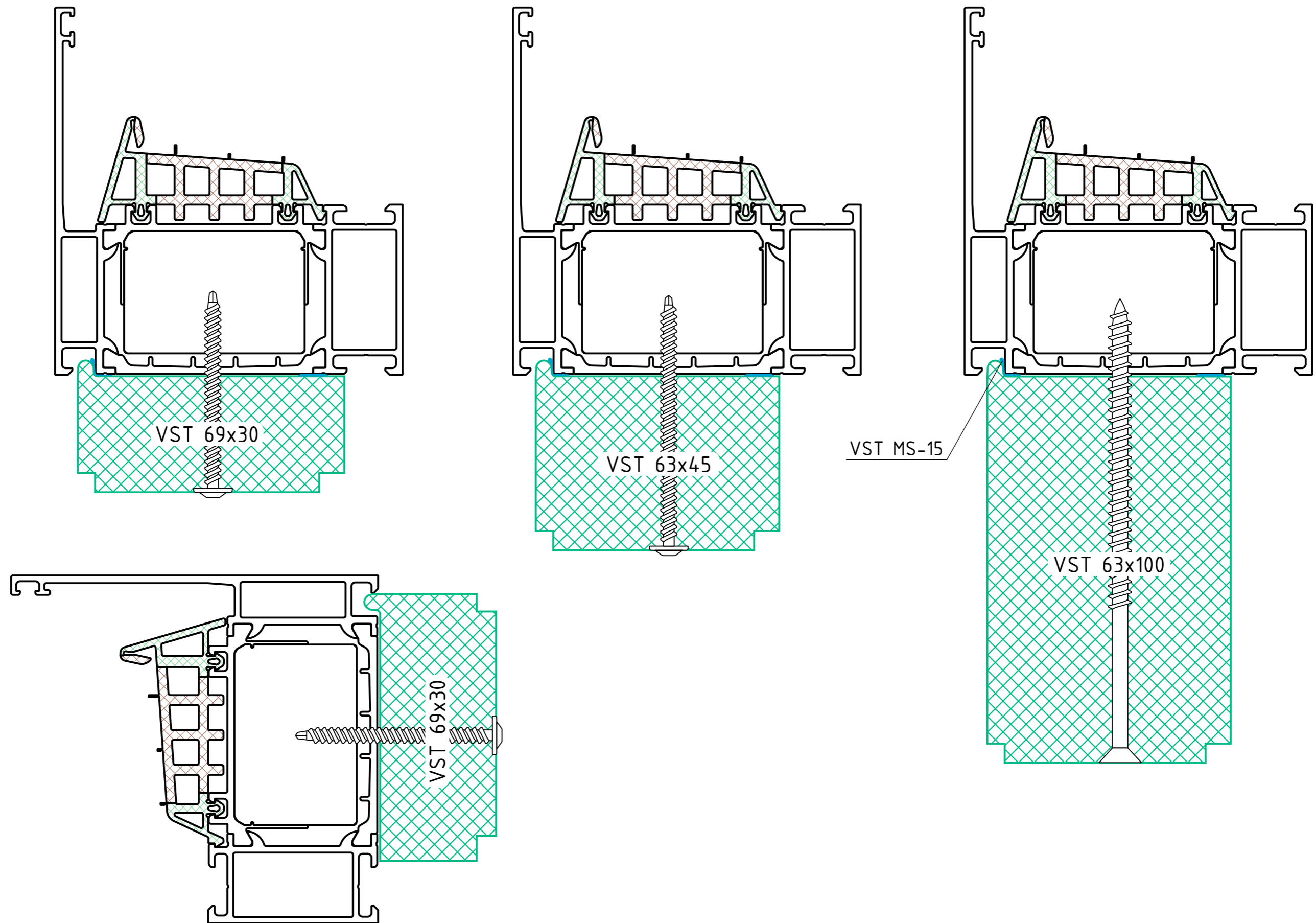
Thermal insulation profile VSThermo in combination with a aluminum window system REYNAERS MasterLine 8



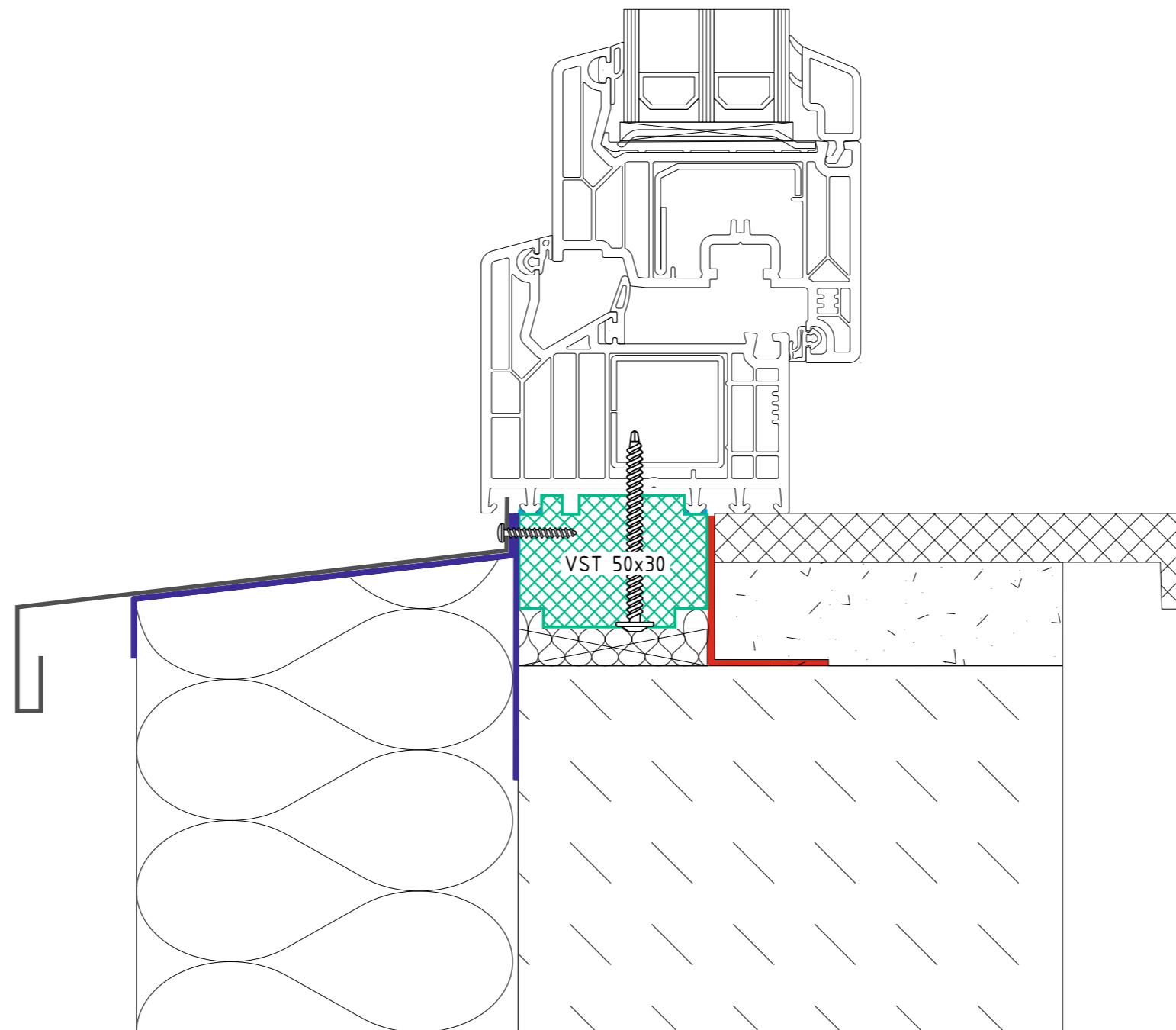
Thermal insulation profile VSThermo in combination with a aluminum window system REYNAERS MasterLine 10



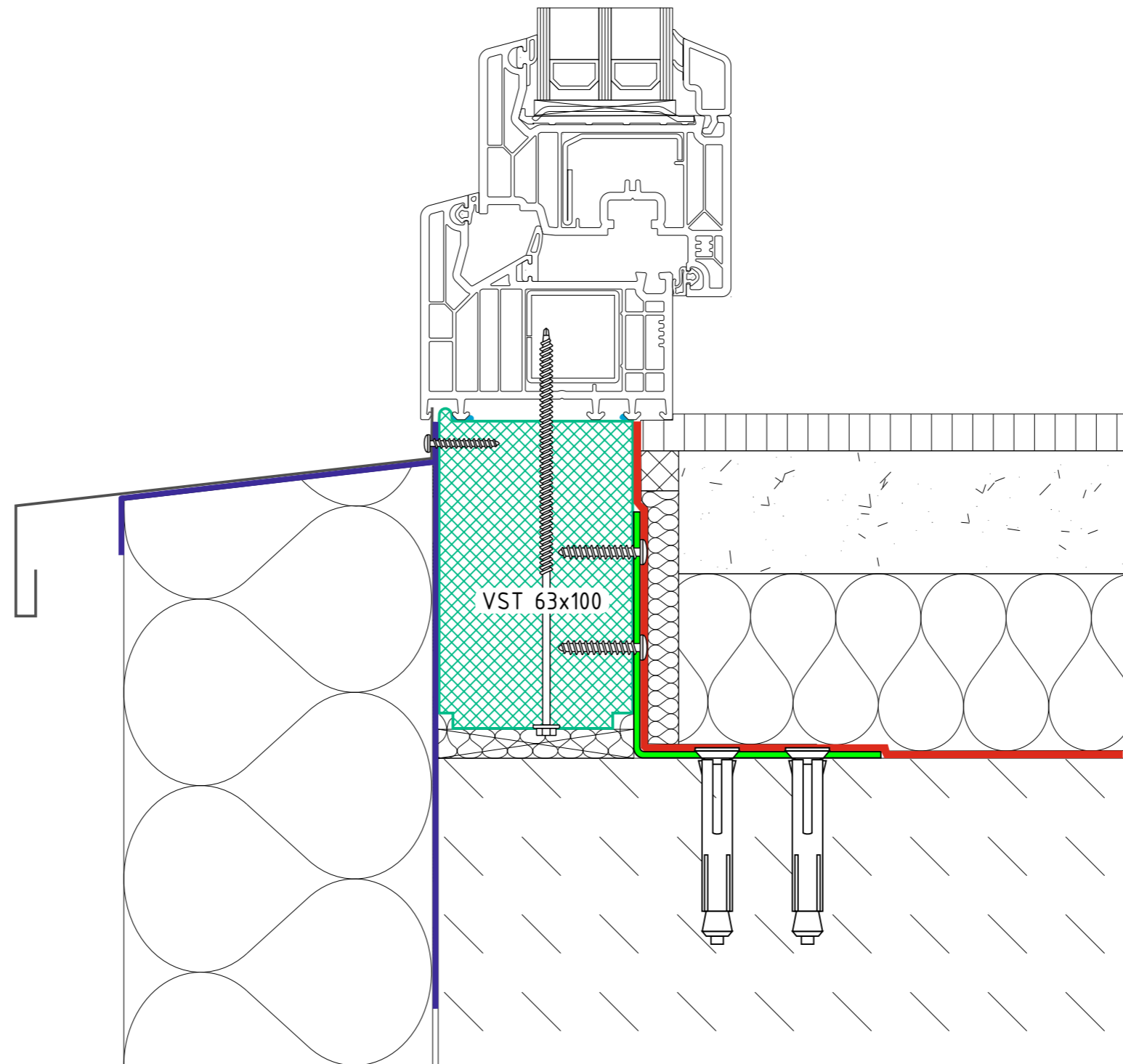
Thermal insulation profile VSThermo in combination with a aluminum window system Schuco AWS90



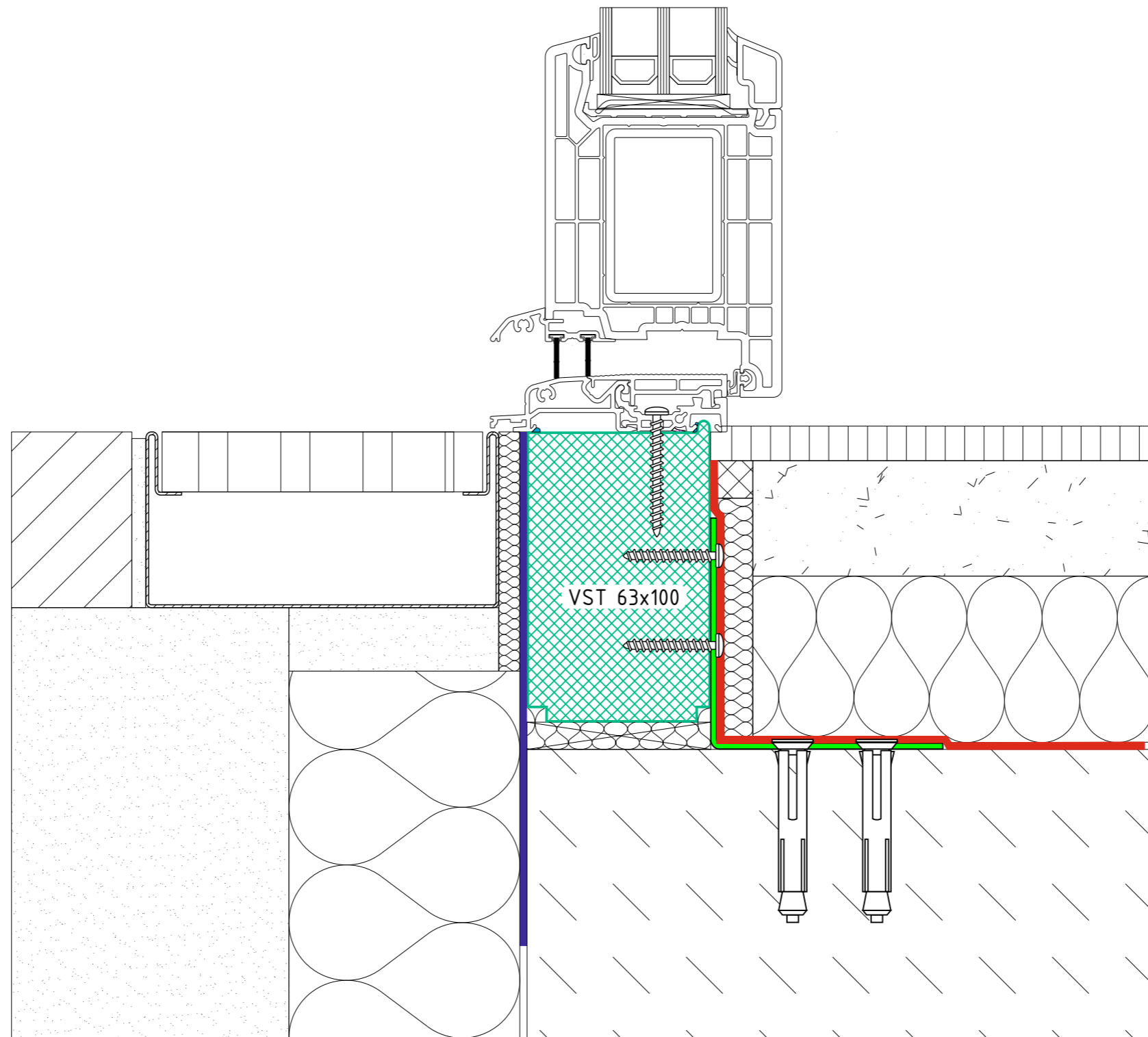
Lower connection node of window constructions



Lower connection node of window constructions to the ground



Creation of thermal breaks under the thresholds of door constructions



Design of thermal break under the thresholds of sliding systems

